



**Chanter** BioMed  
Engineering

# PRODUCT CATALOGUE 2026





**Chanter** BioMed



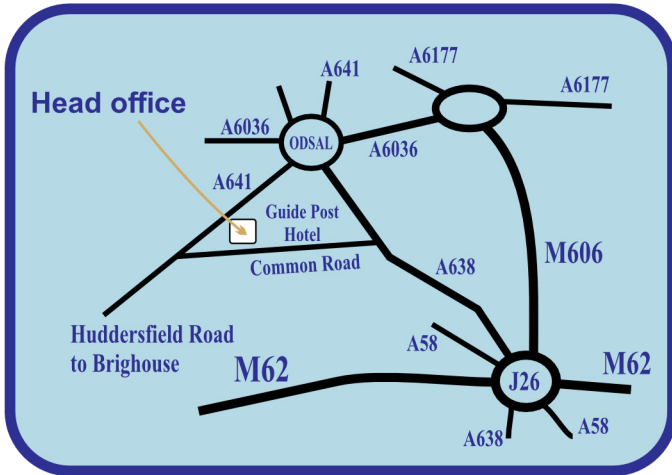
**ARMATUREN**  
ARI ARMATUREN STEAMLINE LLP

 **KLINGER**®

 **ALFA  
VALVOLE**



**GESTRA**®



## Chanter Biomed Limited

1 Hanworth Road  
Low Moor  
Bradford  
West Yorkshire  
BD12 0SG

Trade Counter : Call in and discuss  
your requirement. You will receive a  
warm welcome.

email: [info@chanterbiomed.co.uk](mailto:info@chanterbiomed.co.uk)  
[www.chanterbiomed.co.uk](http://www.chanterbiomed.co.uk)



VAT Number 129015926  
Registered No. 7923319



## Payment details



We accept all major  
credit cards and debit  
cards, accept America  
Express Cards.



We can send you  
a paypal invoice  
if you want to pay  
via paypal. Just ring  
or email your order.



You can pay directly  
into our bank account.  
Sort Code : 09-01-29  
Account : 39207315

## Ordering



Telephone: 01274 414666  
International: +44 (0) 1274 414666  
Mon - Fri 08:30 to 17:00  
Phone answered 24/7.



Fax: 01274 414470  
International: +44 (0) 1274 414470  
Anytime 24/7.



Post your order and we will  
contact you for payment.



Email your order 24/7.  
[sales@chanterbiomed.co.uk](mailto:sales@chanterbiomed.co.uk)



## Delivery Information

### POSTAGE, PACKAGE AND INSURANCE - UK MAINLAND2

Consignment Value under £20 and weight under 1 kg  
(excluding glassware, bulky or fragile items)  
None traceable and at customers risk

1st Class Post     £6.00

Consignment Value over £20 and weight up to 15kg  
(including glassware under 1M and fragile items)

24 Hour Courier   £20.00

Consignment Value over £20 and weight up to 25 kg  
(including glassware under 1M and fragile items)  
Timed next day Courier deliveries

24 Hour Courier   £25.00

Before 12 noon   approx £35  
Before 9:00am    approx £49

Subject to change if carrier adds surcharges etc. Please check at time of order.

Items that are bulky or over 1 metre in length may attract an additional surcharge.

Please contact office for advice.

Other special deliveries - price on application.

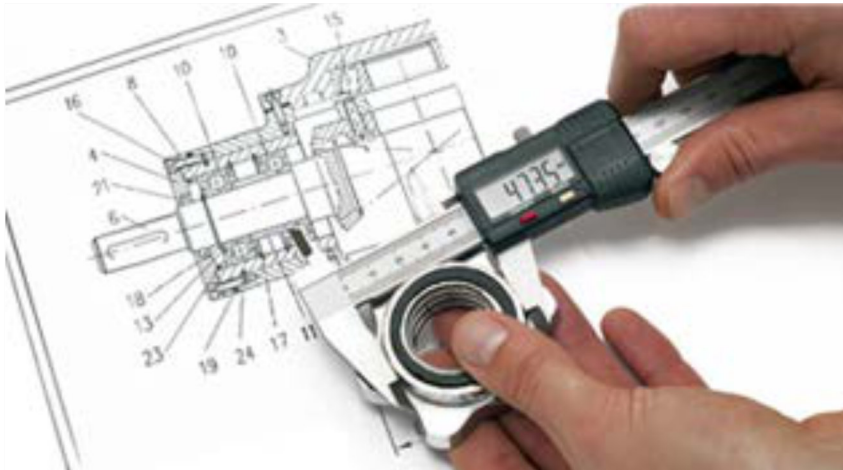
Please check current prices as carrier prices may change.

Prices in this list are for guidance only, please confirm current prices on placement of order. Prices may change without notice if they are outside our control.

Standard account payment terms are 30 days from issue of invoice (with an account set up).

Purchaser must ensure that the replacements parts are suitable for purpose.

Boiler Water Level Gauges in Gunmetal	6 - 8
Three Glass Protectors, Columns and Gunmetal level gauge spares	9 - 11
Reflex Level Gauges and associated spares	12 - 16
Boiler Probes - Transparent Gauges, Magnetic Gauges	17 - 19
Tank Level Gauges in Gunmetal and Stainless Steel Push Button Gauges / Guards	20 - 24
Push Button Gauges, Tankmaster Gauges - and Oil tank fittings	25 - 28
Oil Level Gauges	29
Tube Cleaning Brushes	30
Fusible Plugs / Washout Plugs	31
Gauge Glass Tubes, Plain and Red Striped. Inspection Glasses / Circles, Protector Panels, Acrylic Tubes	32 - 35
Rubber Cones / Square Section Rubbers Sleeves in PTFE and Graphoil / Copper Washers	37 - 39
Pressure Gauge Cocks - Three Way Inspection Cocks, Bent Nose Cocks, Test Cocks, Round Barrel Cocks etc	40 - 43
Manhole and Mud Hole Joints Prekev, Topog E, Blue Max Joints, Spiral Wound Joints.	44 - 47
Sheet Gasket Material / Flange Gaskets GF and Ceramic Rope and Tapes	48 - 50
Pressure Gauges - Pressure Gauge Testing, Syphons	51 - 52
Mobrey Replacement Parts - Bestobell Mobrey Sequencing Blowdown Valves	53 - 54
Flow Cylinders - Flow indicators	55 - 58
Gestra Valves and Controls	59 - 60
Copper Tube	61
Terms and Conditions	62



## Company Profile

## Precision Engineering

Chanter Biomed Ltd is a precision engineering company offering a wide range of engineer capabilities from *bespoke products, contract work, along with our own products* and is regarded as the UK's premier manufacturer of Boiler Water Level Gauges and Tank Level Gauges and spares.

Established in the 1940's as A. E. Chanter, the company has been supplying Industry with specialist equipment for more than 75 years. The company joined forces with the Biomed Group, which gives the current company name of Chanter Biomed Ltd and increased its product range further.

Over successive generations the company has enjoyed an enviable reputation for the high quality of its products and service, continually improving designs and diversifying its product range.

Our comprehensive workshop can manufacture bespoke items, or modify our standard products to suit individual needs. Our engineers are available to assist you in making the correct product choice.

Today's diverse range and excellent customer support ensures Chanter Biomed Limited remains the major engineering contender.



**If you have any items / projects to cost, please get in touch.**

# Boiler Water Level Gauges

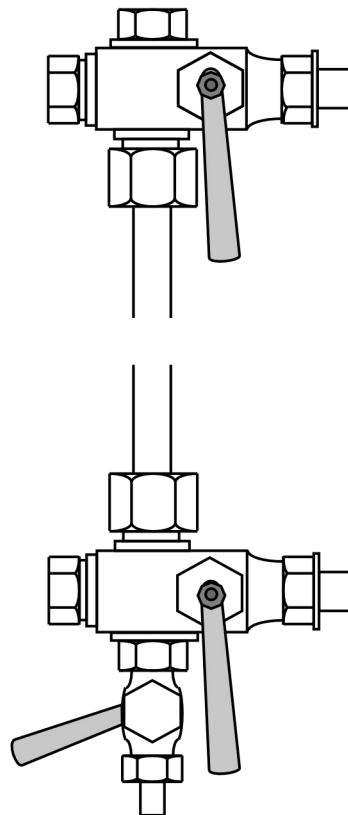
**Material: BS 1400-L62C.**

For steam working pressures up to 250lbs/in<sup>2</sup> (17.2bar) and temperatures up to 500F (260 C). These gauges are fitted with sleeves which can be adjusted by means of packing nuts as water necessitates and provide easy and efficient maintenance. An automatic shut-off ball valve in the water arm to prevent the escape of water is available on request. Steam

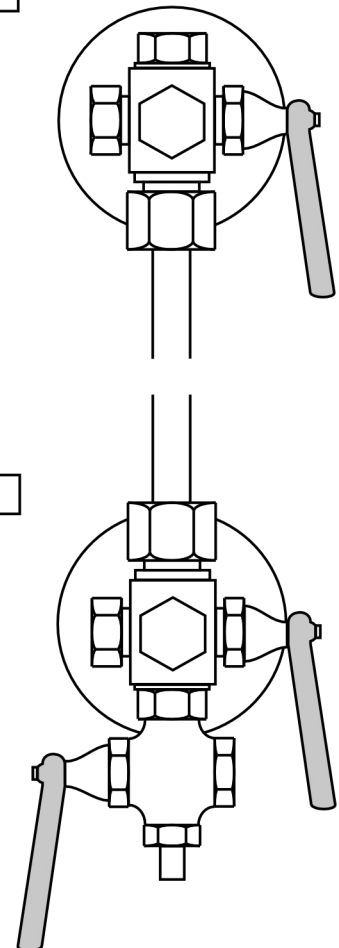
and water arms can be handed right or left to suit installation and drilled to appropriate standards.



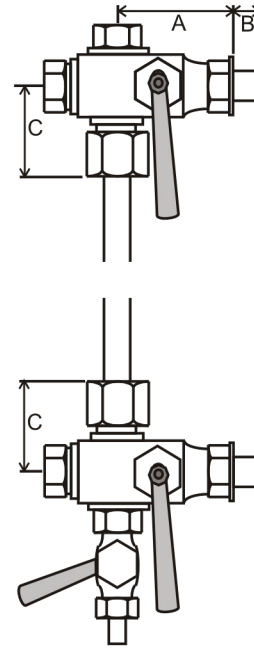
## SCREWED



## FLANGED



# Screwed Gunmetal Sleeve Packed Water Level Gauges



**Material: Gunmetal LG2 (main body) Handed Left or Right  
Ball Shutoff in bottom as standard.**

Fig 30 1/2" BSP  
2.2Kg per set  
Part No. 07A030



Polished  
A = 55  
B = 30  
C = 50  
Glass 1/2"  
Sleeves AB10  
Cones No 12

Top only £193.66  
Bottom Only £232.39  
Set £387.32

Fig 30 1/2" BSP  
2.2Kg per set  
Part No. 07A130



**Cast Finish**  
A = 55  
B = 30  
C = 50  
Glass 1/2"  
Sleeves AB10  
Cones No 12

Top only £185.71  
Bottom Only £222.85  
Set £371.42

Fig 31 3/4" BSP  
2.2Kg per set  
Part No. 07A031



Polished  
A = 55  
B = 30  
C = 50  
Glass 1/2"  
Sleeves AB10  
Cones No 12

Top only £233.79  
Bottom Only £280.55  
Set £467.58

Fig 34 1/2" BSP  
(Gresswell type G77)  
2.85Kg per set  
Part No. 07A034



Polished  
A = 70  
B = 30  
C = 50  
Glass 1/2"  
Sleeves AB12  
Cones No 12

Top only £282.64  
Bottom Only £339.17  
Set £565.28

Fig 20 1/2" BSP  
3.8Kg per set  
Part No. 07A020



Polished  
A = 68  
B = 26  
C = 59  
Glass 1/2"  
Sleeves AB12  
Cones No 74

Top only £280.50  
Bottom Only £336.60  
Set £561.00

Fig 32 3/4" BSP  
3.8Kg per set  
Part No. 07A032



Polished  
A = 68  
B = 26  
C = 59  
Glass 3/4"  
Sleeves AB12  
Cones No 75

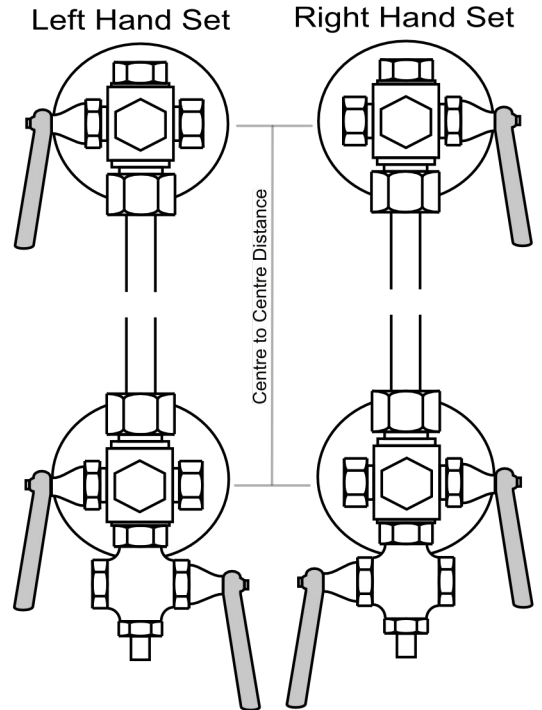
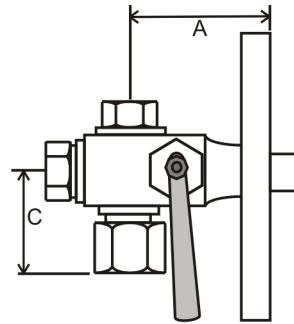
Top only £280.50  
Bottom Only £336.60  
Set £561

DRAIN COCKS 20mm	07B200	£110.53
DRAIN COCKS 3/8"	07B220	£117.16
DRAIN COCKS 1/2"	07B180	£151.63
DRAIN COCKS 3/4"	07B210	£256.07

# Flanged Gunmetal Sleeve Packed Water Level Gauges



R/H SET



**Material: Gunmetal LG2 (main body) Handed Left or Right**  
**Ball Shutoff in bottom as standard.**  
They are reversible, so can be left or right.

Fig 41 1/2"  
5.44Kg per set  
Part No. 07A041



Polished  
A = 83  
C = 62  
Flange 4 1/2" 115mm  
Glass 1/2"  
Sleeves AB12  
Cones No 74

Top only £322.80 undrilled  
Bottom Only £387.36 undrilled

Set £645.60 undrilled  
Set £675.60 drilled

Fig 52 3/4"  
5.44Kg per set  
Part No. 07A052



Polished  
A = 83  
C = 62  
Flange 4 1/2" 115mm  
Glass 3/4"  
Sleeves AB12  
Cones No 75

Top only £335.87  
Bottom Only £403.04

Set £671.73 undrilled  
Set £701.73 drilled

Fig 44 3/4"  
8.16Kg per set  
Part No. 07A044



Polished  
A = 97  
C = 62  
Flange 4 1/2" 115mm  
Glass 3/4"  
Sleeves AB18  
Cones No 58

Top only £420.82  
Bottom Only £504.98

Set £841.63 undrilled  
Set £871.63 drilled

## Protectors

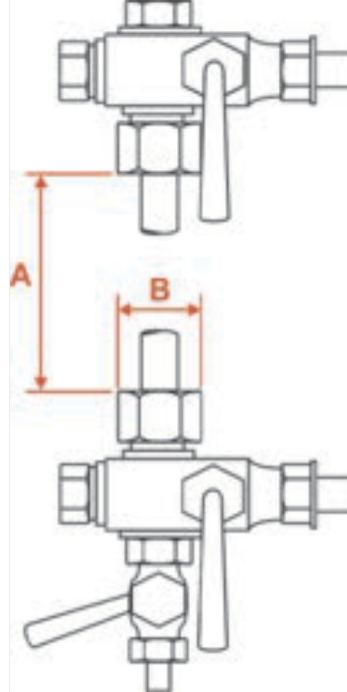
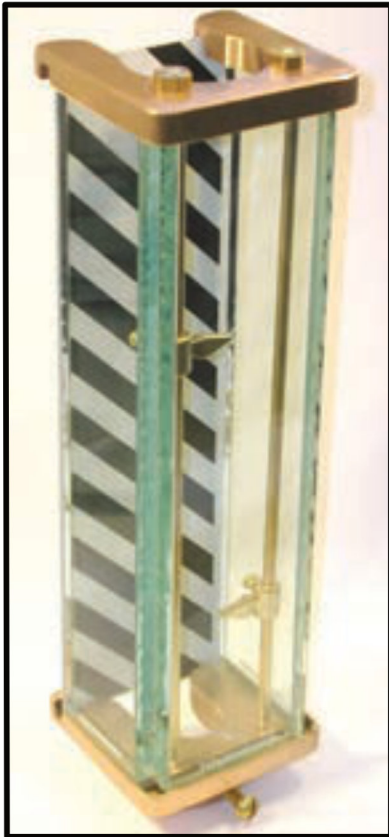
Protector sizing.

When required for gauges of our manufacture it is necessary only to give the distance between the centres at which the gauges are fitted.

We can manufacture protectors to suit other makes of gauges. We need to know two dimensions:

(A): The distance between the glass nuts when the gauges are fitted.

(B): The size across the corners of the glass nuts. (Note that for this dimension, it is the distance across the corners of the nut and not across the flats that we require)



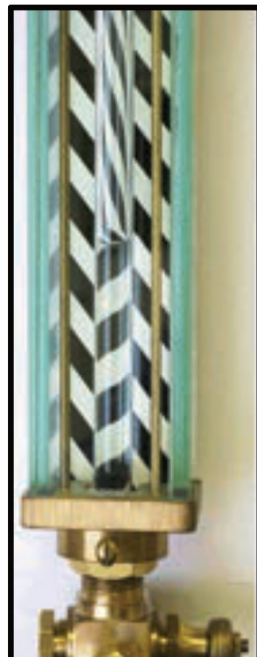
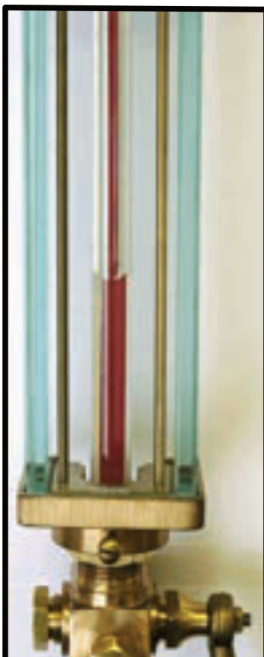
### FITTED WITH 3/8 TOUGHENED PANELS

6"	£152.25	13"	£188.65
7"	£156.50	14"	£191.53
8"	£159.00	15"	£196.61
9"	£163.06	16"	£203.65
10"	£168.36	17"	£214.05
11"	£174.32	18"	£227.56
12"	£181.59		

### OVER 18" PROTECTORS PRICE ON APPLICATION

**POINTERS** £4.10

**CHEVRON BACKPLATES PER INCH** £4.75



Improving gauge glass water level visibility.

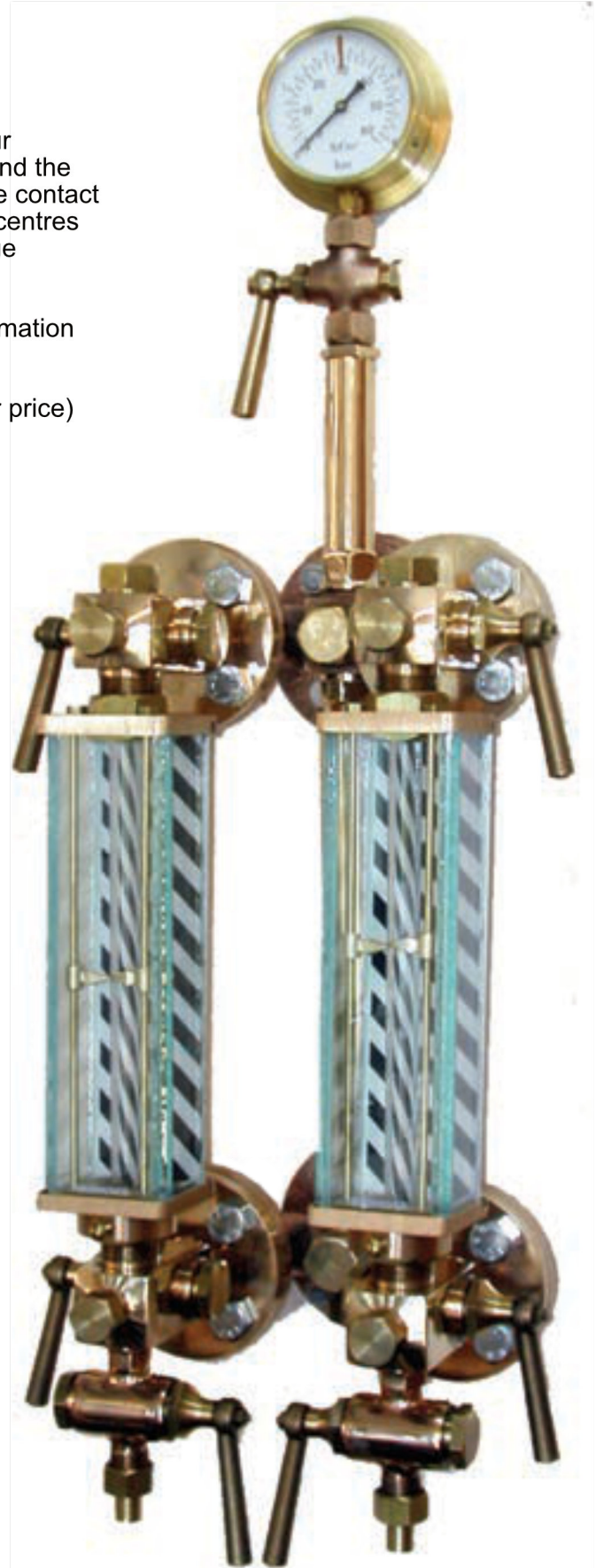
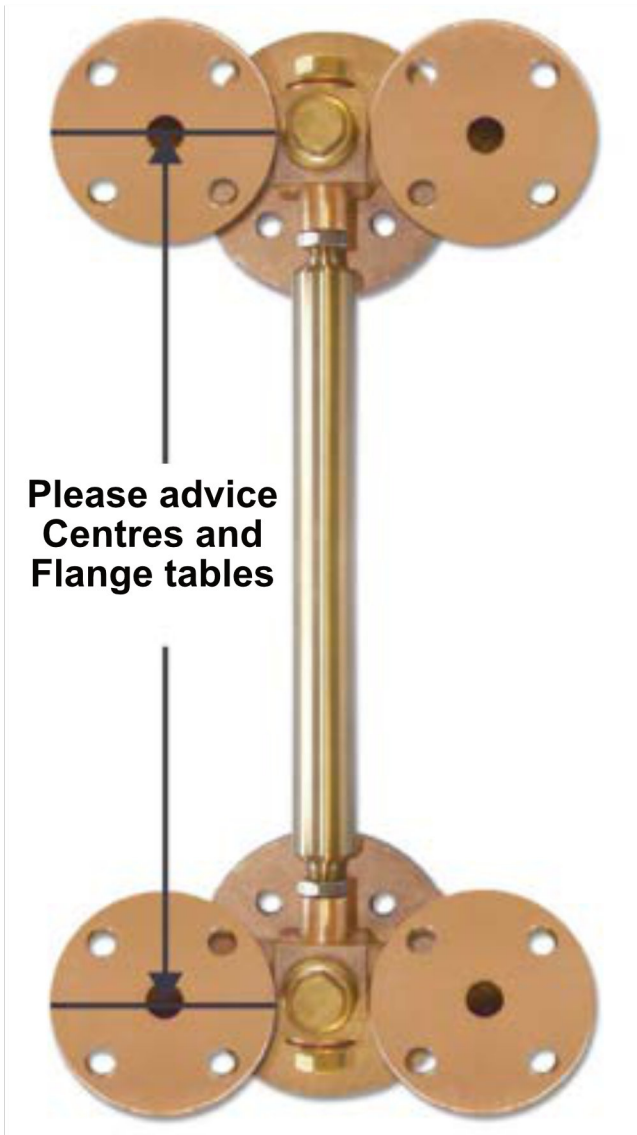
In situations where the water level is difficult to see, we recommend the use of either a red stripe gauge glass, or the inclusion a chevron backplate in the protector. The adjacent photographs demonstrate the significant improvement to visibility that this can make.

## Water Gauge Columns

Water Gauge Columns are manufactured to meet your requirements. The boiler connection flange is 5 1/2" and the water gauge flanges are 4 1/2" as standard but please contact us if you require different. We can accommodate ant centres and we have the units ready to be drilled to your flange specification with a few days from order.

Please contact our sales team for any additional information or advice.

£1373.80 + vat (price up to 18" ctrs, if larger - ring for price)



## Spindles and Spares



Chanter Biomed Ltd. Water Level Gauges are prepared at our Bradford site from castings made exclusively for us.

Components are manufactured in house by our own engineers so you can be assured that replacement parts are of top quality and will fit as intended.

Besides components intended for our own range of gauges, we manufacture many items for other makes. Many are listed in this catalogue, but please contact our salesteam for items that are not listed. We will always do our best to help.

### SPINDLES

10mm A&J	£24.91
10mm Chanter Biomed	£24.91
10mm Miro	£24.91
12mm A&J	£26.41
12mm Bestobell (Chieftain)	£26.56
12mm Bonetti	£27.84
12mm Chanter Biomed	£26.41
12mm Gresswell	£26.40
12mm Hopkinson	£32.78
12mm Hopkinson Split Rings	£10.14 (pair)
12mm Klinger (40mm long)	£26.41
12mm Klinger (45mm long)	£26.41
12mm Klinger Split Rings	£16.11 (pair)
12mm Miro	£26.41
18mm A&J	£33.37
18mm Bestobell	£33.55
18mm Bonetti	£46.67
18mm Chanter Biomed	£33.37
18mm Danks	£45.16
18mm Hopkinson	£45.94
18mm Hopkinson Split Rings	£10.75 (pair)
18mm Klinger (60mm long)	£39.85
18mm Klinger Split Rings	£16.11 (pair)
18mm Miro	£33.37
18mm Taylor (Brass)	£45.16
1/2" Dewrance Taper	£39.13
3/4" Dewrance Taper	£45.16
3/4" Dewrance Taper (Drain)	£43.33
20mm Shaw (Brass)	£51.88
22mm Taylor (Brass)	£45.16
22mm Klinger (60mm long)	£64.73
22mm Klinger (105mm long)	£64.73
22mm Klinger (125mm long)	£64.73

Spindles are in stainless steel (or brass where indicated)

### GAUGE SPARE PARTS

#### Water Gauge Handles:

Fig. 30 & 31	£17.61
Fig. 20, 32, 41, 44, 52	£18.07

#### Tank Gauge Spigotted Nuts

1/2" Fig. 71	£40.00 (pair)
1/2" Fig. 61	£44.00 (pair)
3/4" Fig. 63	£49.00 (pair)

#### Spindle Washers:

10mm	£1.83
12mm	£1.92
18mm	£2.56
22mm	£3.26

#### Cone Washers:

1/2" L/P	
For cones no. 3, 12 & Wallico 1/2"	£1.21
1/2" S/P	
For cones no. 74 & 90	£1.33
3/4" Cone Washer no. 75	
For cones no. 75 and 92	£1.42

3/4" Hopkinson	
For cones no. 7, 7H, Dexine & no. 58	£1.76

#### Gauge Glass Nuts:

1/2" Fig. 71 Tank Gauge	£9.50
1/2" Fig. 61 Tank Gauge	£9.50
5/8" Fig. 72 Tank Gauge	£9.50
3/4" Fig. 63 Tank Gauge	£9.95
1/2" Fig. 30 Water Gauge	£9.50
1/2" Fig. 34 Water Gauge	£9.50
1/2" Fig. 41 Water Gauge	£9.50
3/4" Fig. 44 Water Gauge	£9.95

## REFLEX WATER GAUGES

### **CBR REFLEX COCKS**

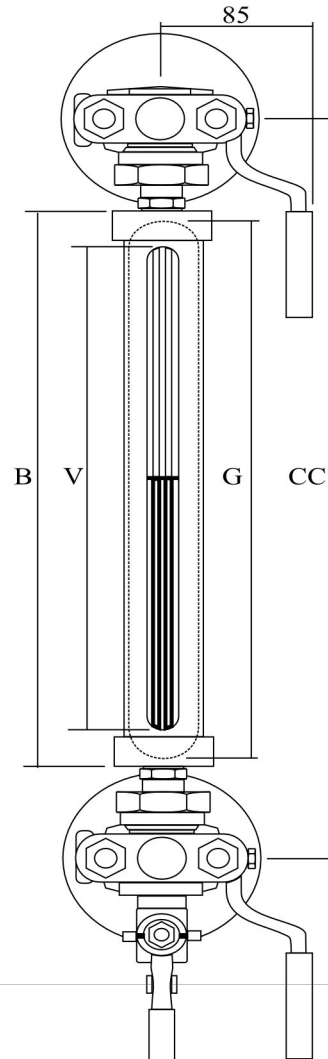
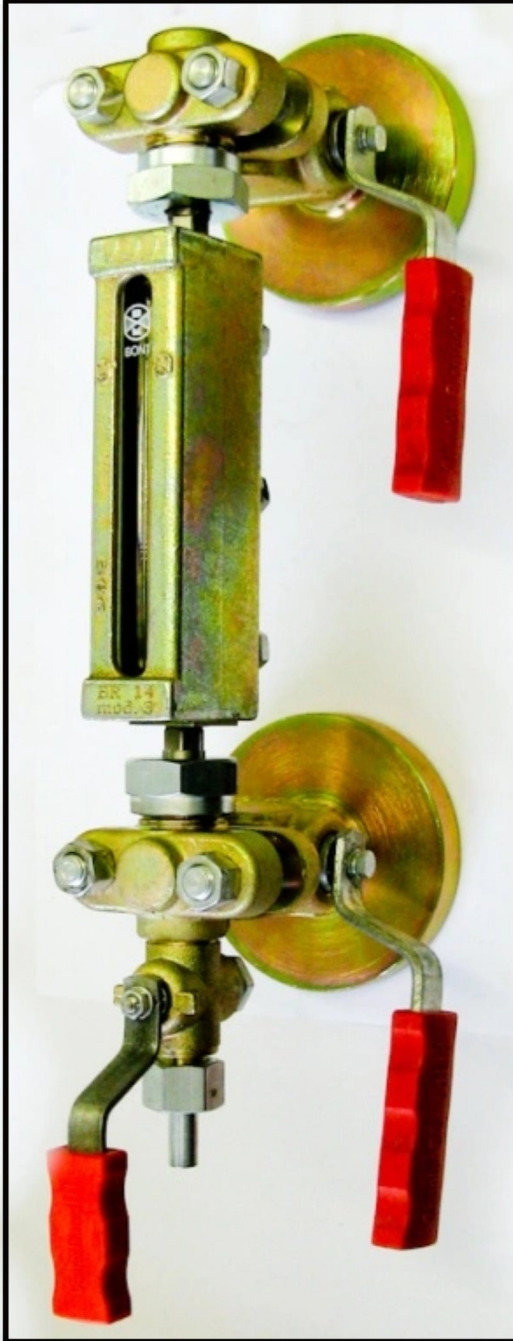
Maximum operating conditions: Pressure 32 Bar Temp 236°C  
Designed for Water / Steam

### **CBR REFLEX GAUGES**

Maximum operating conditions: Pressure 20 Bar Temp 211°C

Main body :- Forged Carbon Steel, spindles 316 Stainless Steel  
Sleeves Graphoil with St/Steel Eyelets

SIZE	C TO C CC min	LENGTH OF BODY B	VISIBLE LENGTH V	LENGTH OF GLASS G	WEIGHT Kg
3	285	178	143	165	9.2
4	310	203	168	190	9.6
5	340	233	198	220	10.0
6	370	263	228	250	10.5
7	400	293	258	280	11.0
8	440	333	298	320	11.5
9	460	353	318	340	11.9



## Chanter Biomed



<b>COCKS</b>	<b>FLANGED (undrilled)</b> (Includes top, bottom & drain)	<b>£428.40 / set</b>
	<b>Drilling of flanges</b>	<b>£31.00 / set</b>
<b>SIZE 3</b>	<b>REFLEX LEVEL GAUGE</b>	<b>£241.74 each</b>
<b>SIZE 4</b>	<b>REFLEX LEVEL GAUGE</b>	<b>£265.20 each</b>
<b>SIZE 5</b>	<b>REFLEX LEVEL GAUGE</b>	<b>£320.28 each</b>
<b>SIZE 6</b>	<b>REFLEX LEVEL GAUGE</b>	<b>£320.28 each</b>
<b>SIZE 7</b>	<b>REFLEX LEVEL GAUGE</b>	<b>£332.52 each</b>
<b>SIZE 8</b>	<b>REFLEX LEVEL GAUGE</b>	<b>£332.52 each</b>
<b>SIZE 9</b>	<b>REFLEX LEVEL GAUGE</b>	<b>£332.52 each</b>

Please note that the above gauges are supplied complete with standard 16mm od end tubes of approximate length: 40mm.

We can supply any of the above gauges with end tubes modified to suit your requirements.  
Price for this modification is typically £25 per tube.

Please contact our salesoffice for advice.

## Klinger

**D type**



**R100**



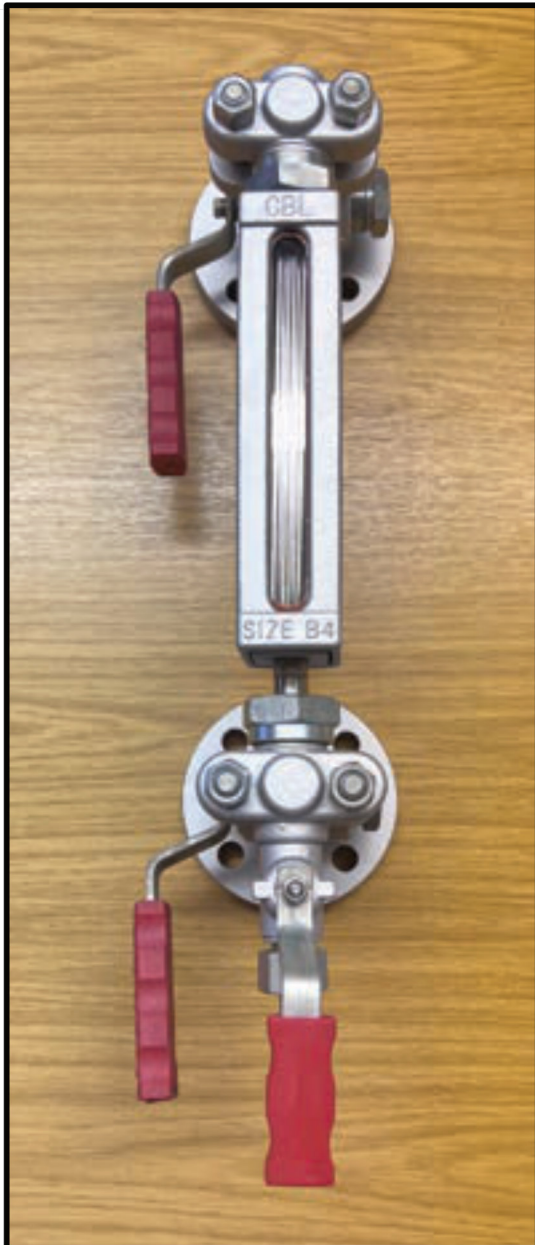
<b>COCKS</b>	<b>FLANGED (DN25 PN16/40)</b> (Includes top, bottom & drain)	<b>£695.00 / set</b>
	<b>Alternative drilling on request</b>	<b>£POA / set</b>
<b>SIZE I</b>	<b>GAUGE (Min cc 230mm)</b>	<b>£355.00 each</b>
<b>SIZE II</b>	<b>GAUGE (Min cc 255mm)</b>	<b>£355.00 each</b>
<b>SIZE III</b>	<b>GAUGE (Min cc 280mm)</b>	<b>£355.00 each</b>
<b>SIZE IV</b>	<b>GAUGE (Min cc 305mm)</b>	<b>£355.00 each</b>
<b>SIZE V</b>	<b>GAUGE (Min cc 335mm)</b>	<b>£355.00 each</b>
<b>SIZE VI</b>	<b>GAUGE (Min cc 365mm)</b>	<b>£355.00 each</b>
<b>SIZE VII</b>	<b>GAUGE (Min cc 395mm)</b>	<b>£355.00 each</b>
<b>SIZE VIII</b>	<b>GAUGE (Min cc 435mm)</b>	<b>£355.00 each</b>
<b>SIZE IX</b>	<b>GAUGE (Min cc 455mm)</b>	<b>£355.00 each</b>

Please confirm Klinger prices as they are subject to change by the manufacturer.

# REFLEX WATER GAUGES - PAINTED

We now offer our range of Reflex Gauges and Reflex Cocks Painted with heat resistance paint.

Cock set plus £20  
Gauges plus £10



Note: Gauge cocks are right or left handed.  
Right hand version is shown. Please specify  
handing when ordering.

Flanges can be machined / drilled to customer  
requirements. (Max 115mm).

Please note that valve diagram is for illustrative  
purposes only.

Not every component is available as a spare part.  
Unavailable parts are marked: N/A

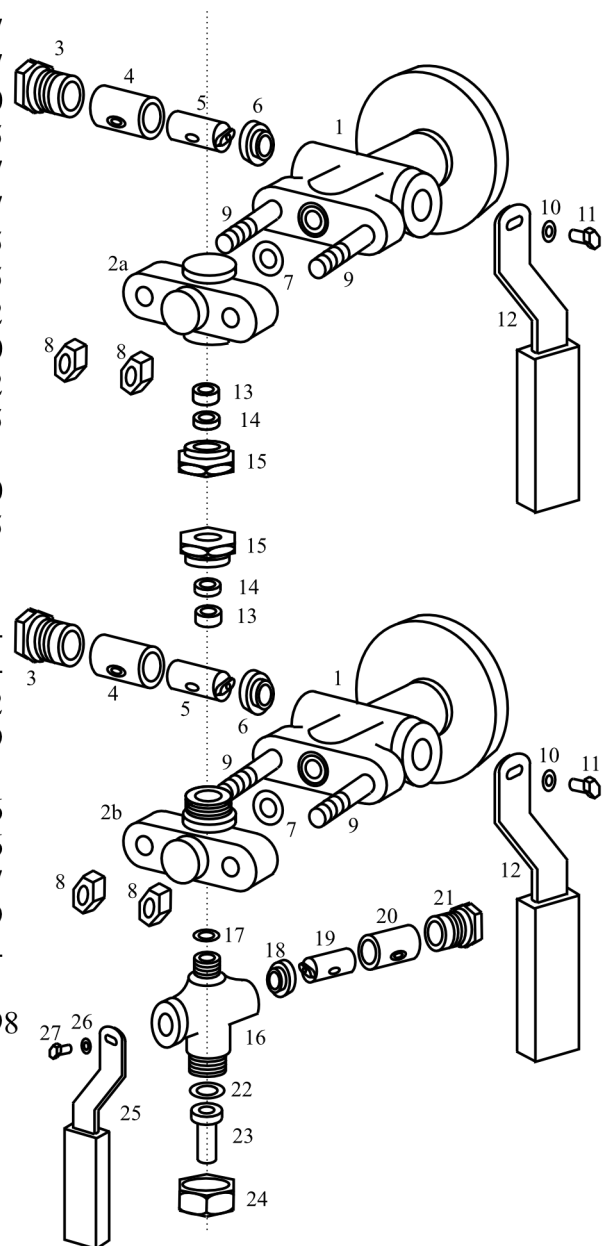
## Parts

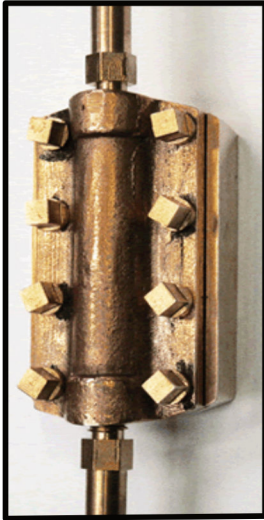
No.	Stock No.	Description	No. Per set	Unit Price
1	N/A	Body	2	N/A
2a	09B160	Stuffing Box (Top)	1	£63.37
2b	09B150	Stuffing Box (Bottom)	1	£63.37
3	09B120	Sleeve nut (main)	2	£24.50
4	33A040	Packing sleeve 18mm	2	£14.45
5	05A020	Main cock spindle	2	£46.67
6	09B140	Spindle ring (main)	2	£13.57
7	09B100	Head joint	2	£ 2.05
8	S1	Stud nut	4	£ 1.15
9	S1	Stud	4	£ 9.12
10	S1	Main handle washer	2	£ 0.30
11	S1	Main handle bolt	2	£ 0.52
12	09B090	Main handle	2	£20.15
13	09B210	KU16 Packing	2	£3.51
14	07B290	Compression ring	2	£12.90
15	09B170	Compression nut	2	£14.05
16	N/A	Drain body	1	N/A
17	04D040	Drain seal joint	1	£1.21
18	09B130	Spindle ring (drain)	1	£13.14
19	05A010	Drain cock spindle	1	£27.84
20	33A030	Packing sleeve 12mm	1	£10.32
21	09B110	Sleeve nut (drain)	1	£24.49
22	09B190	Tail pipe joint	1	£1.92
23	09B200	Tail pipe (c/w item 24)	1	£14.06
24	09B200	Tail pipe nut (c/w item 23)	1	£14.06
25	09B080	Drain handle	1	£13.37
26	S1	Drain handle washer	1	£ 0.29
27	S1	Drain handle bolt	1	£ 0.54
	09B060	Complete Drain cock	1	£105.98

Maintenance repair kit (for one gauge cock set)

2 off	No4	Packing sleeve 18mm
2 off	No7	Head joint
2 off	No13	KU16 Packing
1 off	No17	Drain seal joint
1 off	No20	Packing sleeve 12mm

**09K010 Kit price £54.63**





### SIZE A0 Gunmetal Reflex Gauge

**Length:** 4 1/8"  
**Width:** 2 1/2"  
**Visible length:** 2 5/8"  
**End Tubes:** 1/2" Diameter Brass

**PRICE** £449.00

Part No 09D010



### SIZE B2 Gunmetal Reflex Gauge

**Length** 6"  
**Width:** 2 5/8"  
**Visible Length** 4 1/2"  
**End Tubes** 1/2" or 3/4" Brass

**PRICE** £542.00

Part No 09D020

#### End Tubes

We manufacture the gauges with end tubes to match the gauge cocks that you are fitting to.

If you are fitting the gauge to a set of our gauge cocks, then we only need to know the distance between the fixing centres to be able to work out the correct end tube length.

If the gauge cocks are not of our supply, then we need to know the end tube length that you require.

## Annealed copper tubing



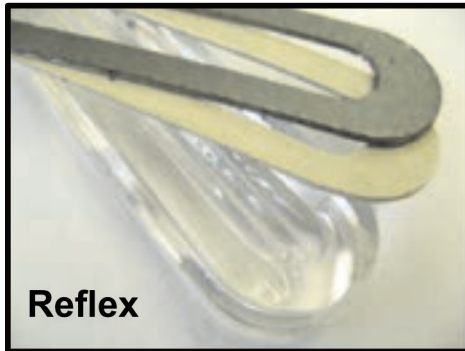
4mm OD x 0.6mm x 30m Soft annealed copper tube, Max=137 bar £88.59

6mm OD x 1.0mm x 10m Soft annealed copper tube, Max=152 bar £91.80

8mm OD x 1.0mm x 10m Soft annealed copper tube, Max=114 bar £92.82

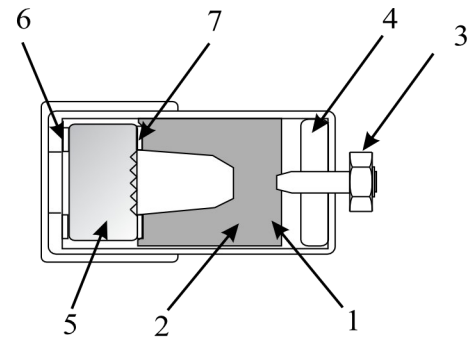
10mm OD x 1.0mm x 10m Soft annealed copper tube, Max=91 bar £95.70

These are guide prices only as copper prices fluctuate. Please check at time of order.



### Reflex gauge body parts

1. Gauge Body
2. Centre Section
3. Bolt
4. Bolt plate
5. Reflex glass
6. Cushion Gasket
7. Sealing Gaskets



Part Number	Glass Size	Price	Gasket Set
10A010	Reflex Glass A0 (95mm)	£39.07	£6.60
10A020	Reflex Glass A00 (90mm)	£39.07	£8.36
10A030	Reflex Glass A1 (115mm x 30mm x 17mm)	£30.96	£6.60
10A040	Reflex Glass A2 (140mm x 30mm x 17mm)	£32.56	£6.60
10A050	Reflex Glass A3 (165mm x 30mm x 17mm)	£33.92	£6.60
10A060	Reflex Glass A4 (190mm x 30mm x 17mm)	£35.42	£6.60
10A070	Reflex Glass A5 (220mm x 30mm x 17mm)	£37.88	£6.60
10A080	Reflex Glass A6 (250mm x 30mm x 17mm)	£42.19	£6.60
10A090	Reflex Glass A7 (280mm x 30mm x 17mm)	£44.67	£6.60
10A100	Reflex Glass A8 (320mm x 30mm x 17mm)	£46.25	£6.60
10A110	Reflex Glass A9 (340mm x 30mm x 17mm)	£49.17	£6.60
10A120	Reflex Glass B1 (115mm x 34mm x 17mm)	£30.96	£6.60
10A130	Reflex Glass B10 (370mm x 34mm x 17mm)	£64.66	£8.20
10A140	Reflex Glass B11 (400mm x 34mm x 17mm)	£93.20	£8.54
10A150	Reflex Glass B2 (140mm x 34mm x 17mm)	£32.56	£6.60
10A160	Reflex Glass B3 (165mm x 34mm x 17mm)	£33.91	£6.60
10A170	Reflex Glass B4 (190mm x 34mm x 17mm)	£35.42	£6.60
10A180	Reflex Glass B5 (220mm x 34mm x 17mm)	£37.84	£6.60
10A190	Reflex Glass B6 (250mm x 34mm x 17mm)	£42.19	£6.60
10A200	Reflex Glass B7 (280mm x 34mm x 17mm)	£43.40	£6.60
10A210	Reflex Glass B8 (320mm x 34mm x 17mm)	£46.09	£6.60
10A220	Reflex Glass B9 (340mm x 34mm x 17mm)	£49.18	£6.60

Note that 'A' type glasses are 30mm wide and 'B' type glasses are 34mm wide.

#### Hopkinson Reflex / Transparent gauge spares

Hopkinson Reflex Glass (250mm long x 33mm wide x 19mm thick) 10A230 £65.18 each

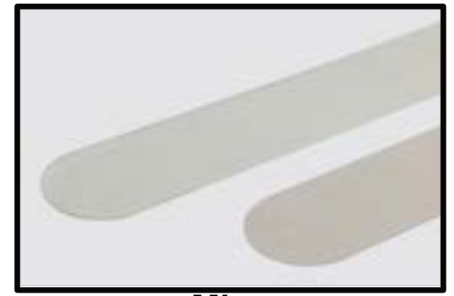
Hopkinson Reflex Gasket (250mm long x 35mm wide with round ends) 11A240 £3.51 per gasket

Hopkinson Reflex Gasket (264mm long x 38mm wide with square ends) 11A230 £3.51 per gasket



**Plain glass**

## Transparent Glasses, Gaskets & Micras



**Mica**

Part Number	Description	Glass Price	Standard Mica	Ex-thick Mica	Gasket set
10B030	Plain Glass B1 (115mm x 34mm x 17mm)	£32.70	£12.09	£13.16	£6.60
10B050	Plain Glass B2 (140mm x 34mm x 17mm)	£34.24	£12.90	£17.93	£6.46
10B060	Plain Glass B3 (165mm x 34mm x 17mm)	£36.46	£15.79	£24.61	£6.60
10B070	Plain Glass B4 (190mm x 34mm x 17mm)	£37.15	£19.56	£27.25	£6.60
10B080	Plain Glass B5 (220mm x 34mm x 17mm)	£38.36	£29.51	£36.38	£6.60
10B090	Plain Glass B6 (250mm x 34mm x 17mm)	£42.96	£31.58	£42.40	£6.60
10B100	Plain Glass B7 (280mm x 34mm x 17mm)	£44.57	£35.54	£52.21	£6.60
10B110	Plain Glass B8 (320mm x 34mm x 17mm)	£47.31	£51.12	£65.60	£6.60
10B120	Plain Glass B9 (340mm x 34mm x 17mm)	£50.39	£55.45	£94.76	£6.60
10B040	Plain Glass B10 (370mm x 34mm x 17mm)	£67.66	poa	poa	£8.21
10B210	Plain Glass B11 (400mm x 34mm x 17mm)	£107.70	poa	poa	£8.54
10B010	Plain Glass A1 (115mm x 30mm x 17mm)	£32.70	£11.73	£13.16	£6.60
10B150	Plain Glass A2 (140mm x 30mm x 17mm)	£33.72	£12.90	£17.93	£6.60
10B160	Plain Glass A3 (165mm x 30mm x 17mm)	£42.96	£15.79	£24.13	£6.60
10B170	Plain Glass A4 (190mm x 30mm x 17mm)	£36.59	£19.56	£26.72	£6.60
10B180	Plain Glass A5 (220mm x 30mm x 17mm)	£37.79	£29.51	£35.68	£6.60
10B160	Plain Glass A6 (250mm x 30mm x 17mm)	£42.96	£31.58	£41.58	£6.60
10B190	Plain Glass A7 (280mm x 30mm x 17mm)	£43.91	£32.09	£45.38	£6.60
10B200	Plain Glass A8 (320mm x 30mm x 17mm)	£46.61	£41.92	£49.21	£6.60
10B020	Plain Glass A9 (340mm x 30mm x 17mm)	£50.40	£56.59	£63.86	£6.60
10B220	Plain Glass A10 (370mm x 30mm x 17mm)	£66.66	poa	poa	£8.21
10B230	Plain Glass A11 (400mm x 30mm x 17mm)	£107.70	poa	poa	£8.54

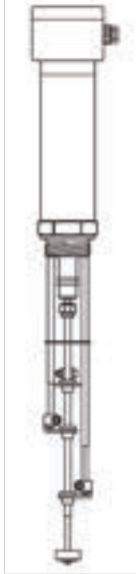
Note that 'A' type glasses are 30mm wide and 'B' type glasses are 34mm wide.

Hopkinson Plain Glass (335mm x 33mm x 19mm) 10B140	£79.39 each
Hopkinson Gasket Set (335mm long x 38mm wide with square ends) 11A220	£7.91 / set
Hopkinson Mica Shield (330mm long x 35mm wide with square ends) 34A190	£60.69 each
Hopkinson Plain Glass (315mm long x 20mm wide x 19.5mm thick) 10B130	£133.02 each

## Gestra Probes



NRG15-50 1500mm  
£poa



NRG16-36 1000mm  
£poa



LRG14-6 300mm  
£poa

All Gestra Probes available  
Please contact us with your requirements

## Top Sellers

### Replacement Boiler Probes

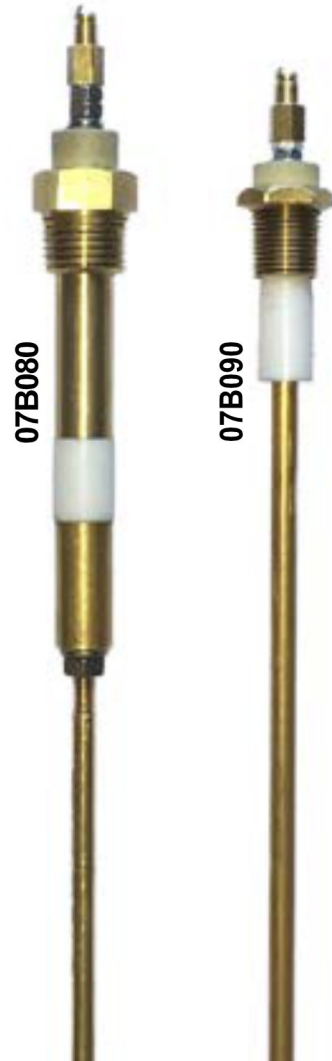
1/2" BSPT connection x 36" long  
(as fitted to Fulton Boilers)

07B080 £96.39

3/8" BSPT connection x 30" long  
(as fitted to Byworth Boilers)

07B090 £32.00

Other sizes / makes and Stainless Steel  
are available to order - please contact our office.



# High Pressure Level Gauges



The **Magnetic Level Gauge** is the instrument to read a level indication in whatever plant or operating conditions giving free maintenance, preventive security against leakage, environmental safety, sure and trouble free application with chemically aggressive, pollutant, harmful or poisonous, inflammable or explosive, optically similar fluid interface.

Our very wide range of Magnetic Level Gauges allows to have the proper instrument for any kind of plant or specific purpose. The system includes a float able to float both in high density fluid or in low density fluid up to 0.4 specific gravity. You can have low specific gravity and high temperature and pressure together (i.e. water/steam of H.P. vessels). A sealed float able to float and to resist with external pressure of 210 bar at 370 °C!

Remote Direct Reading available.

Transmitted Remote Signal available. We can supply a sensing element able to transduce the signal to LED, Analogical or Recording Instruments that you can have in Control Room.

## Features:

Vertical Chamber:

Tp 316 - Tp 316L - Tp 321 - PVC - PP - PVDF - PTFE

Float:

Tp 316 - Titanium - PVC - PP - PVDF - PTFE

Indicating Scale:

Austenitic stainless steel/glass or stainless steel/polycarbonate - Water proof - IP 65AS per IEC 529.

According to the operating conditions, we supply level gauge with the most suitable combination of materials. Iron, copper and silver alloys are normally excluded. Special materials, like Hastelloy, Incoloy, Titanium, Zirconium, 6Mo, etc. will be supplied on request.

## APPLICATIONS

The application range is very wide and includes all the situations where the fluids are:-

- at high pressure, at low or high temp,
- at low pressure, at low or high temp,
- chemically aggressive,
- pollutant to environment,
- noxious or poisonous,
- inflammable or explosive.

## ORDER REQUIREMENTS

- When ordering or requesting prices, please state:-
- type of fluids contained in the level gauge and their specific gravity (if known),
  - plant operating and design pressure,
  - plant operating and design temperature,
  - centre to centre distance,
  - visible length,
  - type of vessel connections.

# High Pressure Level Gauges

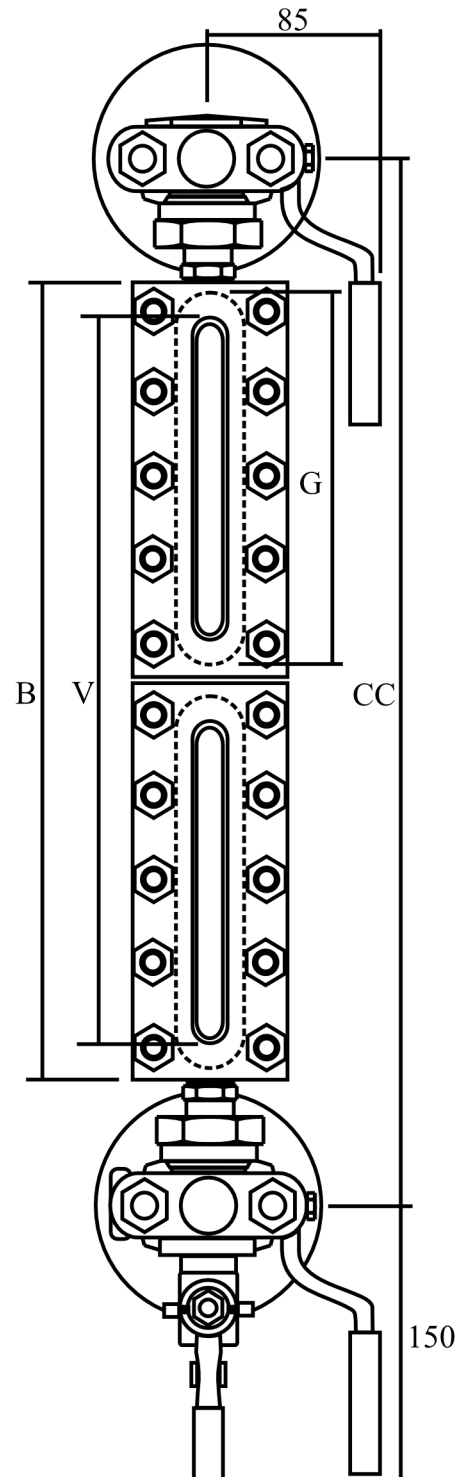
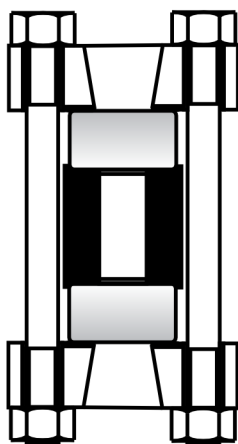
## Transparent level gauges

are recommended for:

- a) Media which are corrosive to glass
- b) Viscous and coloured
- c) Where additional lighting is required
- d) For interface applications

SIZE	C TO C CC MIN	LENGTH B	VISIBLE V	LENGTH G	WEIGHT Kg
1	272	165	93	115	12.30
2	297	190	118	140	13.10
3	322	215	143	165	14.20
4	347	240	168	190	15.00
5	377	270	198	220	16.30
6	407	300	228	250	17.30
7	437	330	258	280	18.40
8	477	370	298	320	20.00
9	497	390	318	340	20.75
2X4	552	445	373	190	22.35
2X5	612	505	433	220	25.00
2X6	672	565	493	250	27.10

FOR CC LENGTHS UP TO 2627mm CONTACT OFFICE FOR DATA



## GUNMETAL TANK LEVEL GAUGES

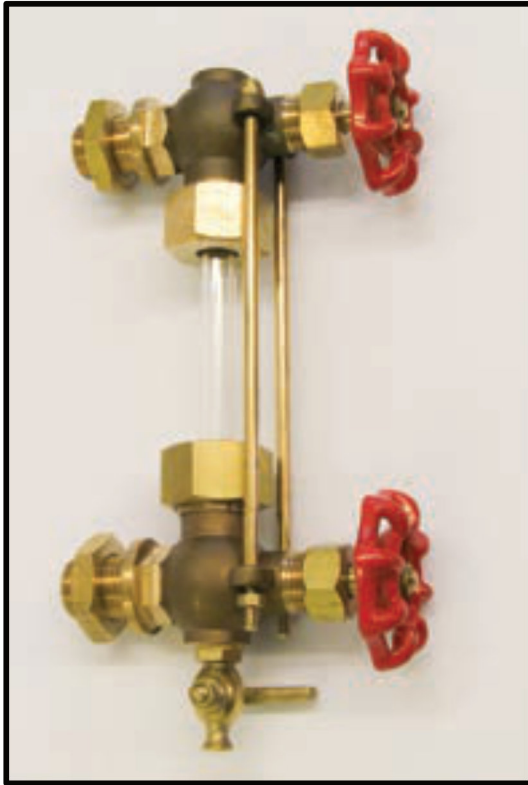


Fig 61 Tank Level Gauge fitted with brass guard rods

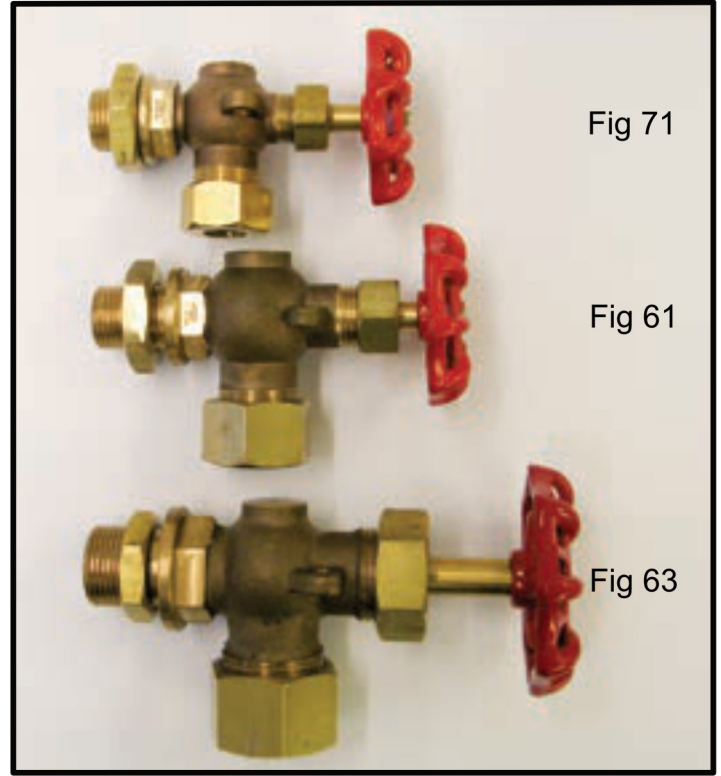


Fig 71

Fig 61

Fig 63

### Standard Pattern Screwed Tank Gauges

Fig. no.	Thread size	Glass o.d.	A	B	C	D	E	Unit Price
Fig. 60	3/8" BSP	1/2"	1 3/4"	1 1/8"	1"	1 3/4"	2 1/4"	£202.00
Fig. 61	1/2" BSP	1/2"	1 3/4"	1 1/8"	1"	1 3/4"	2 1/4"	£182.00
Fig. 62	1/2" BSP	5/8"	1 3/4"	1 1/8"	1"	1 3/4"	2 1/4"	£232.00
Fig. 63	3/4" BSP	3/4"	2"	1 1/4"	1"	2 1/4"	3 1/8"	£276.00

### Standard Pattern Flanged Tank Gauges

Fig. 61F	1/2"	1 3/4"	1 1/8"	1 3/4"	2 1/4"	£332.00
Fig. 62F	5/8"	1 3/4"	1 1/8"	1 3/4"	2 1/4"	£382.00
Fig. 63F	3/4"	2"	1 1/4"	2 1/4"	3 1/8"	£426.00

### Light Pattern Screwed Tank Gauges

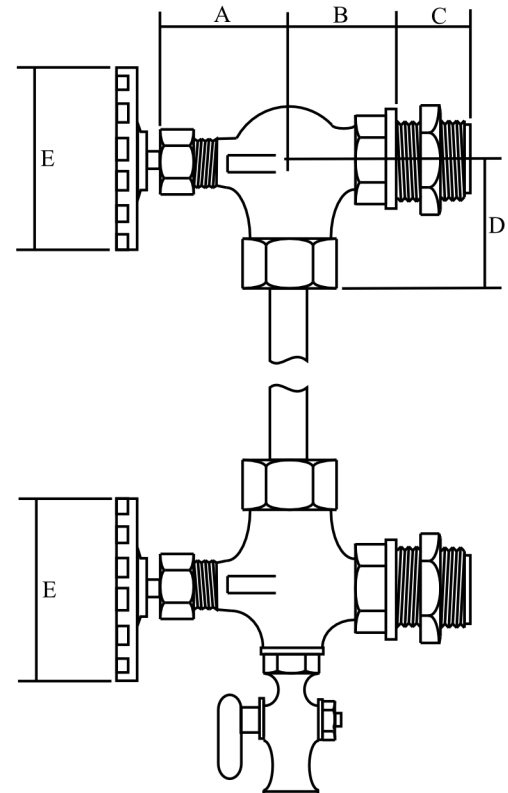
Fig. 70	3/8" BSP	1/2"	1 1/4"	1"	3/4"	1 1/2"	2 1/4"	£172.00
Fig. 71	1/2" BSP	1/2"	1 1/4"	1"	3/4"	1 1/2"	2 1/4"	£152.00
Fig. 72	1/2" BSP	5/8"	1 1/4"	1"	3/4"	1 1/2"	2 1/4"	£168.00

### Light Pattern Flanged Tank Gauges

Fig. 71F	1/2" BSP	1/2"	1 1/4"	1"	3/4"	1 1/2"	2 1/4"	£302.00
Fig. 72F	1/2" BSP	5/8"	1 1/4"	1"	3/4"	1 1/2"	2 1/4"	£318.00

### Centre Supports

Centre Support to suit fig. 60 and fig. 61 Gauges:	£147.00
Centre Support to suit fig. 62 Gauges:	£151.00
Centre Support to suit fig. 63 Gauges:	£163.00
(Centre Supports are not available for the light pattern gauges)	



**Standard Pattern**

**Series 0060** **0060/61** **0062** **0063**

Diameter of Glass Tube	Ins	1/2"	5/8"	3/4"
Screwed BSP Male Thread	Ins	3/8" or 1/2"	1/2"	3/4"
Approx. Weight per Set	Kg	1.19	1.47	2.01

Hyd. test pressure	400lbs/in <sup>2</sup> 28 Bar
Max. S.W.P.	175lbs/in <sup>2</sup> 13 Bar at 392 °F/200°C
Max. C.W.P.	200lbs/in <sup>2</sup> 14 Bar

**Light Pattern**

**Series 0070** **0070/71** **0072**

Diameter of Glass Tube	Ins	1/2"	5/8"
Screwed BSP Male Thread	Ins	3/8" or 1/2"	1/2"
Approx. Weight per Set	Kg	0.68	0.73

Hyd. test pressure	250lbs/in <sup>2</sup> 17.2 Bar
Max. S.W.P.	100lbs/in <sup>2</sup> 7 Bar at 302 °F/150°C
Max. C.W.P.	125lbs/in <sup>2</sup> 9 Bar

Please state medium to be used on.

Wheel operated shut-off in both arms, "Coolgrip" handwheel and drain cock. When guard rods and glass tubes are required it is necessary to state the distance between the centres at which the gauges are to be fitted.

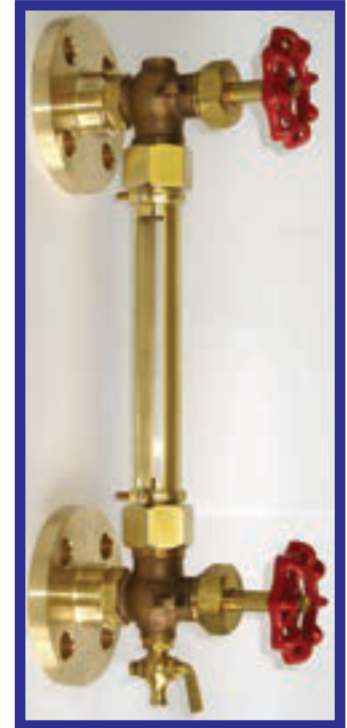


Fig. 61 Tank Gauge fitted with flanges and a tubular guard.



Detail showing the glass seal on a fig 61 Tank Gauge.

**Guards and centre supports.**

The gauge may be fitted with either a glass or acrylic tube. In either case, we recommend that the tube be protected either by fitting a pair of brass guard rods, or by a tubular guard as illustrated.

Please contact our office for further information and prices of these guards

We do not recommend fitting a tank gauge over a distance of more than about 1500mm in a single span. The use of a centre support will break up the distance and provide much greater rigidity to the gauge assembly. Please contact our office for advice about centre supports.

## STAINLESS STEEL TANK LEVEL GAUGES



### Standard Pattern

		AEC500	AEC750
Diameter of Glass Tube	Ins	1/2"	3/4"
Screwed BSP Male Thread	Ins	1/2"	3/4"

Material (Body): This is an investment casting manufactured in Stainless Steel. Finish: A.C.S.F. (Anti-corrosive surface finish).

Hyd. test pressure	400lbs/in <sup>2</sup> 28 Bar
Max. S.W.P.	175lbs/in <sup>2</sup> 13 Bar at 392 °F/200°C
Max. C.W.P.	200lbs/in <sup>2</sup> 14 Bar

Wheel operated shut-off in both arms, "Coolgrip" handwheel and drain cock.

When guard rods and glass tubes are required it is necessary to state the distance between the centres at which the gauges are to be fitted. We can also offer flanged gauges to suit customer requirements. For longer centre distances we can offer stainless steel centre supports.

Available screwed or flanged

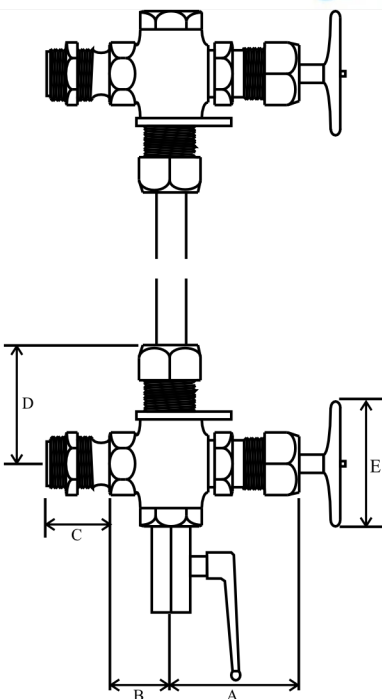


### Intermediate Arm

Used to support extra long sight tubes.

Recommended in cases where the span exceeds 1200mm.

An intermediate arm allows the span to be broken down into a more manageable size.

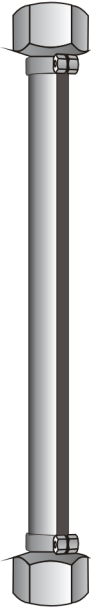


	Thread Size	Glass OD	A	B	C	D	E	Unit price
<b>AEC500</b>								
Screwed Gauge Set	1/2" BSP	1/2"	2. 3/4"	1. 7/32"	1. 3/16"	2. 1/4"	2. 1/4"	£670.49
Flanged Gauge Set	1/2" BSP	1/2"	2. 3/4"	1. 7/32"	1. 3/16"	2. 1/4"	2. 1/4"	£760.49
Screwed Centre Support	1/2" BSP	1/2"						£274.87
Flanged Centre Support		1/2"						£321.87
<b>AEC750</b>								
Screwed Gauge Set	3/4" BSP	3/4"	2. 3/4"	1. 3/4"	1. 3/16"	2. 1/2"	2. 1/4"	£763.63
Flanged Gauge Set	3/4" BSP	3/4"	2. 3/4"	1. 3/4"	1. 3/16"	2. 1/2"	2. 1/4"	£853.63
Screwed Centre Support	3/4" BSP	3/4"						£311.67
Flanged Centre Support		3/4"						£358.67

**All tank level gauges can be fitted with plain glass tubes, red stripe glass tubes or acrylic tubes.**

# TUBULAR GUARDS AND GUARD RODS TO SUIT TANK GAUGES

## TUBULAR GUARDS



INS	MM	BRASS	ST/ST
6	152	£59.52	£69.00
12	305	£81.57	£94.61
18	457	£90.69	£105.14
24	610	£103.75	£115.81
30	762	£109.75	£127.91
36	914	£118.70	£137.62
48	1219	£138.79	£160.94
60	1524	£158.86	£184.34
72	1829	£177.17	£204.24
83/4	2000	£186.73	£216.55

**PRICES INCLUDES CLIPS**

Fitting of brass spigots to glass nuts:  
£29.75(pair)

### Brass / Stainless Steel Tubular Protector

The polished tubular guard consists of two specially drawn segments and gives clear through vision.



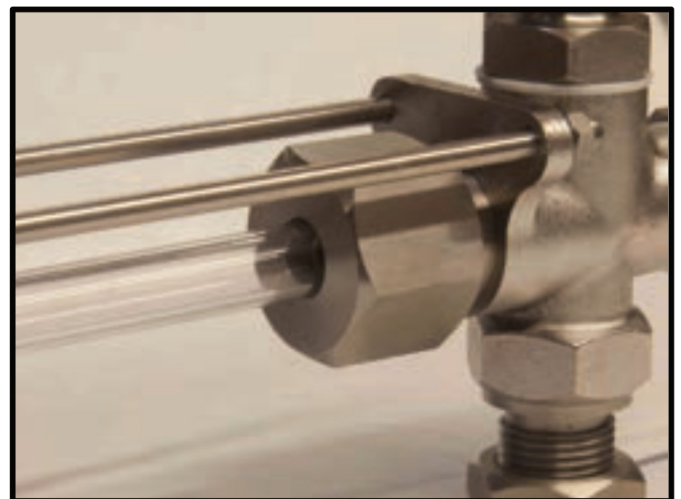
## GUARD RODS

The photograph shows a pair of guard rods fitted to one of our AEC500 stainless steel tank gauge sets.

Price for guard rods (pair): £11.00 per foot.

Brass or Stainless Steel to match gauges.

Up to 12"	£11.00
Up to 24"	£22.00
Up to 36"	£33.00
Up to 48"	£44.00
Up to 60"	£55.00
Up to 72"	£66.00



If the tank gauge is in a fairly well protected position, then guard rods may provide adequate protection.

If the gauge is in a more exposed position, then we recommend the use of a tubular guard.

# Spiral Wound Gaskets



Spirals	Price
1/2" Spiral Wound Gasket ASA 150	1.99
3/4" Spiral Wound Gasket ASA 150	2.15
1" Spiral Wound Gasket ASA 150	2.41
1 1/2" Spiral Wound Gasket ASA 150	3.60
1 1/4" Spiral Wound Gasket ASA 150	3.83
2" Spiral Wound Gasket ASA 150	5.23
2 1/2" Spiral Wound Gasket ASA 150	5.3
3" Spiral Wound Gasket ASA 150	6.81
4" Spiral Wound Gasket ASA 150	8.55
6" Spiral Wound Gaskets ASA 150	13.93
4" Spiral Wound Gasket ASA 300	9.47
5" Spiral Wound Gasket ASA 300	13.87
6" Spiral Wound Gasket ASA 300	16.78
10" Spiral Wound Gasket ASA 300	28.97
1" Spiral Wound Gasket ASA 600	2.72
1/2" Spiral Wound Gasket ASA 600	2.81
3/4" Spiral Wound Gasket ASA 600	2.81
1 1/4" Spiral Wound Gasket ASA 600	3.57
1 1/2" Spiral Wound Gasket ASA 600	3.81
2" Spiral Wound Gasket ASA600	4.57
2 1/2" Spiral Wound Gasket ASA 600	5.56
3" Spiral Wound Gasket ASA 600	7.14
1/2" Spiral Wound Gasket PN16/25/40	3.26
1 1/4" Spiral Wound Gasket PN16/25/40	4.48
1" Spiral Wound Gasket PN16/25/40	4.64
3/4" Spiral Wound Gasket PN16/25/40	5.06
1 1/2" Spiral Wound Gasket PN16/25/40	5.1
3" Spiral Wound Gasket PN16/25/40	7.04
2" Spiral Wound Gasket PN16/25/40	7.4
2 1/2" Spiral Wound Gasket PN10/16/25/40	7.99
6" Spiral Wound Gasket PN16	10.9

4" Spiral Wound Gasket PN16	11.12
10" Spiral Wound Gasket PN16	18.19
5" Spiral Wound Gasket PN16	19.74
8" Spiral Wound Gasket PN16	25.53
12" Spiral Wound Gasket PN16	32.42
14" Spiral Wound Gasket PN16	55.37
1/2" Spiral Wound Gasket PN16/25/40	3.26
1 1/4" Spiral Wound Gasket PN16/25/40	4.48
1" Spiral Wound Gasket PN16/25/40	4.64
3/4" Spiral Wound Gasket PN16/25/40	5.06
1 1/2" Spiral Wound Gasket PN16/25/40	5.1
3" Spiral Wound Gasket PN16/25/40	7.04
2" Spiral Wound Gasket PN16/25/40	7.4
2 1/2" Spiral Wound Gasket PN10/16/25/40	7.99
1/2" Spiral Wound Gasket PN16/25/40	3.26
1 1/4" Spiral Wound Gasket PN16/25/40	4.48
1" Spiral Wound Gasket PN16/25/40	4.64
3/4" Spiral Wound Gasket PN16/25/40	5.06
1 1/2" Spiral Wound Gasket PN16/25/40	5.1
3" Spiral Wound Gasket PN16/25/40	7.04
2" Spiral Wound Gasket PN16/25/40	7.4
2 1/2" Spiral Wound Gasket PN10/16/25/40	7.99
4" Spiral Wound Gasket PN25/PN40	10
5" Spiral Wound Gasket PN25/PN40	15.29
6" Spiral Wound Gasket PN40	15.78
8" Spiral Wound Gasket PN40	25.53
10" Spiral Wound Gasket PN40	35.17

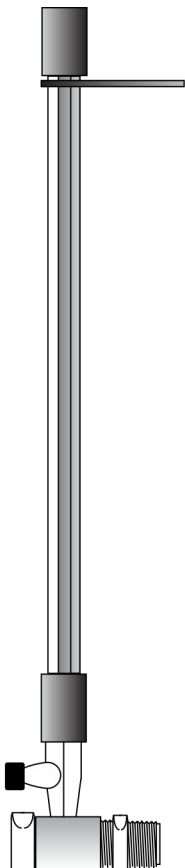
## PUSH BUTTON TANK GAUGES

Push Button Gauges give a clear reading of the level of the contents of a tank. They have unbreakable sight tubes and can be supplied in lengths to suit any tank.

The unit is fitted with a self closing valve designed to comply with BS799 and has been accepted by major oil companies.

Specification:	Protection against insects and dust.
Top Cap:	To provide upper support for the sight tube. It is supplied with self tapping screws.
Sight tube:	Clear PVC
Sight Tube Shield:	Rigid PVC (Aluminium is also available)
Coupler:	A push fit onto sight tube shield to cover the valve nipple.
Tank Connection:	Union complete with locknut.
Union size:	1/2" BSP standard (3/4" or 1" is also available)
Gauge Length:	To suit the tank height.
Application:	Heating Oil, Diesel Oil, Paraffin etc.

### PUSH BUTTON GAUGES



4ft 6"	PBG 1/2 BSPUNION	£49.83
5ft	PBG 1/2 BSPUNION	£52.37
6ft	PBG 1/2 BSPUNION	£55.16
8ft	PBG 1/2 BSPUNION	£63.47
10ft	PBG 1/2 BSPUNION	£68.64
4ft 6"	PBG 3/4 BSPUNION	£59.82
5ft	PBG 3/4 BSPUNION	£62.54
6ft	PBG 3/4 BSPUNION	£67.00
8ft	PBG 3/4 BSPUNION	£77.17
10ft	PBG 3/4 BSPUNION	£86.79

1/2" OR 3/4" BLANKING PLUG £5.04

Other connection sizes and lengths are available.

1/2" valve only mechanism £24.44

Note that the gauge has an open union connection.

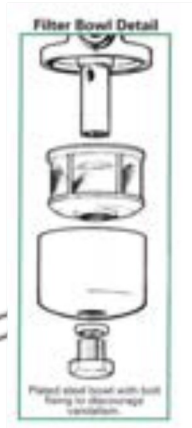
The open union connection facilitates the installation of a shut off valve, allowing filling or draining of the tank.

If it is not intended to fit a shut off valve, then we can supply a blanking plug to seal the connection.



**NEW**

# TANKMASTER TANK GAUGES



## Four-in-one Level Gauge

1. Control Valve to turn on/off oil supply.
2. Pull to Read Valve/Sight Tube allows inspection of tank contents level.
3. Integral Filter to ensure only clean oil is allowed to pass from the tank.
4. Self-Closing Hand Wheel isolates oil supply in case of fire near the tank.

## Tankmaster Valve Body

- TM Sight Tube Assembly Only (1370mm) 4'6"
- TM Sight Tube Assembly Only (1520mm) 5'
- TM Sight Tube Assembly Only (1830mm) 6'
- TM Sight Tube Assembly Only (2440mm) 8'
- TM Sight Tube Assembly Only (2743mm) 9'
- TM Sight Tube Assembly Only (3050mm) 10'

£POA

Aluminium shield instead of UPVC Additional £2.61

UPVC shield supplied as standard on tubes up to 5ft, Aluminium supplies on 6-10ft models for rigidity

(35 mm) 1 1/4" x 1" M - 1/2" F BSPT Aluminium

(90 mm) 3 1/2" x 1" M - 1/2" F BSP Aluminium

£POA

(160 mm) 6 1/4" x 1" M - 1/2" F BSP Aluminium

(180 mm) 7 1/4" x 1" M - 1/2" F BSP Aluminium

## Specifications

### Dimensions:

Body Assembly – 15.5cm x 8cm  
Sight Tube Assembly – As Required  
Total Weight (4' 0") – 1.0 kg (approx.)

### Materials:

Valve Body	Mazac
Pull to Read Valve	Brass
Springs	Stainless Steel
Tank Union	Aluminium
Tank Union Piston	Brass
Sight Tube	PVC
Sight Tube Tail	Aluminium
Compression Olive	Brass
Compression Nut	Brass
Filter Element	Nylon 52 Microns
Filter Bowl	Bright Zinc-Plated Mild Steel
Filter Bowl Stem	Mild Steel
Filter Bowl Bolt	Bright Zinc-Plated Mild Steel
Filter Bowl Bolt Seal	Nylon

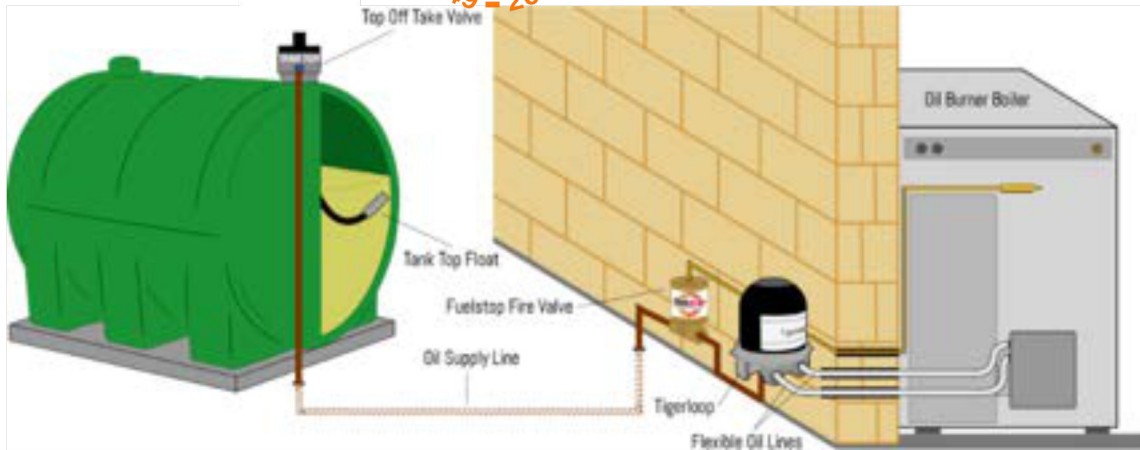
### Application:

Use for fitting to steel or plastic oil heating storage tanks. (Note: A range of adaptors are available for plastic tanks.)

- **Oil Take Off** – Either right hand or left hand.
- **Gauge Length** – To suit tank depth.
- **Sight Tube** – Clear PVC.
- **Sight Tube Shield** – Rigid PVC. (Aluminium by request)
- **Sight Tube Assembly** – Detachable.
- **Oil Level Valve** – Pull to Read (Self Closing).
- **Fire Valve** – Automatic over temperature shut off.
- **Oil Line Outlet** – 10mm copper compression.
- **Oil Flow Rate** – Up to 36 litres per hour (8 gallons per hour)
- **Tank Connection** – 1/2" BSP.
- **Filter** – Replaceable when boiler is serviced. NOT washable.

Designed to comply with BS799 Pt 2.

Service kits available.



Tanktop is the **WORLD'S FIRST AND ONLY** Top Offtake device with all of the necessary features and functions to responsibly draw oil from the top of a tank. EC Reg. Des. No: 000472493-0001. This innovative product has all the components required for drawing fuel oil from the top of the storage tank in one unit (no joints to leak oil out or air in). It incorporates all of the following into one neat, easy to install, unit: Floating Suction Head, Floating Suction Tube (1.6M), Non Return Valve, 50 Micron Filter, Diaphragm Anti-siphon Valve, Anti-spill Valve, Tank Inlet Fitting 1" BSPM, Purging / Priming Button, Surface Gasket, Totally Waterproof

- Top Offtake Valve £POA
- Filter Kit, Including Filter, and Viton Orings £POA
- Replacement Anti Siphon Module £POA
- Test Kit, Suction Pump & Gauge £POA
- Dust Cover/weather proof kit £POA

## Capillary Fire Valves

- Free 10mm soft copper insert support, nuts & Olives with 3/8" valves.
- Liquid filled phial for positive temperature response.
- Available in two temperature ranges 72 & 95 Degrees (you must specify)
- Available in 3/8" and 1/2" inlet and outlets.



### 72 or 95 Degree Capillary Firevalves 3/8" Inlet and Outlet

3/8" 10mm compression, 72 or 95 Degree // 1.5m	£POA
3/8" 10mm compression, 72 or 95 Degree // 3.0m	£POA
3/8" 10mm compression, 72 or 95 Degree // 6.0m	£POA
3/8" 10mm compression, 72 or 95 Degree // 10.0m	£POA
3/8" 10mm compression, 72 or 95 Degree // 12.0m	£POA
3/8" 10mm compression, 72 or 95 Degree // 15.0m	£POA
3/8" 10mm compression, 72 or 95 Degree // 20.0m	£POA
3/8" 10mm compression, 72 or 95 Degree // 25.0m	£POA
3/8" 10mm compression, 72 or 95 Degree // 35.0m	£POA

### 72 or 95 Degree Capillary Firevalves 1/2" Inlet and Outlet

1/2" BSP, 72 or 95 Degree // 1.5m	£POA
1/2" BSP, 72 or 95 Degree // 3.0m	£POA
1/2" BSP, 72 or 95 Degree // 6.0m	£POA
1/2" BSP, 72 or 95 Degree // 10.0m	£POA
1/2" BSP, 72 or 95 Degree // 12.0m	£POA
1/2" BSP, 72 or 95 Degree // 15.0m	£POA
1/2" BSP, 72 or 95 Degree // 20.0m	£POA
1/2" BSP, 72 or 95 Degree // 25.0m	£POA
1/2" BSP, 72 or 95 Degree // 35.0m	£POA

## Tigerloop De-Aerators

- TL6000 Tigerloop original TON110i - external fitting only £POA
- TL6050 Tigerloop Fitting Kit - External Fitting - Includes x2 Braided Lines & Fittings £POA
- TL7000 Tigerloop Bio - Internal and internal fitting £POA
- TL6051 Tigerloop Fitting Kit - Internal Fitting - Includes x2 Braided Lines & Fittings £POA



## Tank Level Gauges



### Float Tank Level Gauge

A simple Low Cost tank contents gauge, float operated dial gauge.

Model AFG40 for 4' foot deep tank. £POA

Model AFG50 for 5' foot deep tank. £POA

Model AFG60 for 6' foot deep tank. £POA

Universal model for 0 - 2000mm tank £POA

All 3 1/2" dial, weight 200 grams.



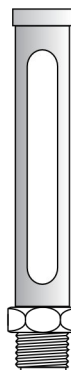
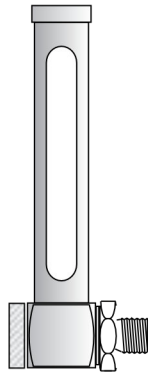
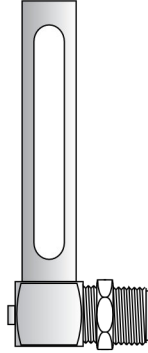
### Hydrostatic Tank Contents Gauge.

Pneumatic remote gauge, this gauge can be used on Cylindrical or Rectangular tanks up to 3 metres deep. Readings are taken by a pull and release lever. Supplied with 10 Mtrs of piping.

Rectangular Tanks D2000                      £POA

Cylindrical Tanks D2100                      £POA

FGM	250	1/4" bsp	with locknut	£33.81
FGM	260	1/4" bsp	with locknut	£33.34
FGM	280	1/4" bsp	with locknut	£34.64
FGM	2100	1/4" bsp	with locknut	£34.91
FGM	2125	1/4" bsp	with locknut	£35.93
FGM	2150	1/4" bsp	with locknut	£36.51
FGM	2175	1/4" bsp	with locknut	£35.47
FGM	2200	1/4" bsp	with locknut	£38.40
FGM	2250	1/4" bsp	with locknut	£56.42
FGM	2300	1/4" bsp	with locknut	£61.05
FGM	350	3/8" bsp	with locknut	£34.48
FGM	360	3/8" bsp	with locknut	£34.88
FGM	380	3/8" bsp	with locknut	£35.60
FGM	3100	3/8" bsp	with locknut	£37.88
FGM	3125	3/8" bsp	with locknut	£36.59
FGM	3150	3/8" bsp	with locknut	£37.52
FGM	3175	3/8" bsp	with locknut	£38.32
FGM	3200	3/8" bsp	with locknut	£38.66
FGM	3250	3/8" bsp	with locknut	£64.73
FGM	3300	3/8" bsp	with locknut	£70.83
FGM	4100	1/2" bsp	with locknut	£54.33
FGM	4125	1/2" bsp	with locknut	£67.04
FGM	4150	1/2" bsp	with locknut	£67.42
FGM	4175	1/2" bsp	with locknut	£73.76
FGM	4200	1/2" bsp	with locknut	£80.23
FGM	4250	1/2" bsp	with locknut	£86.81
FGM	4300	1/2" bsp	with locknut	£96.33
FGB	250	1/4" bsp	Banjo Coupling	£45.81
FGB	260	1/4" bsp	Banjo Coupling	£46.83
FGB	280	1/4" bsp	Banjo Coupling	£48.10
FGB	2100	1/4" bsp	Banjo Coupling	£49.03
FGB	2125	1/4" bsp	Banjo Coupling	£60.26
FGB	2150	1/4" bsp	Banjo Coupling	£60.97
FGB	2175	1/4" bsp	Banjo Coupling	£73.74
FGB	2200	1/4" bsp	Banjo Coupling	£86.53
FGB	2250	1/4" bsp	Banjo Coupling	£89.57
FGB	2300	1/4" bsp	Banjo Coupling	£100.99
FGB	380	3/8" bsp	Banjo Coupling	£50.51
FGB	3100	3/8" bsp	Banjo Coupling	£51.29
FGB	3125	3/8" bsp	Banjo Coupling	£62.62
FGB	3150	3/8" bsp	Banjo Coupling	£63.23
FGB	3200	3/8" bsp	Banjo Coupling	£88.70
FGB	3250	3/8" bsp	Banjo Coupling	£91.96
FGB	480	1/2" bsp	Banjo Coupling	£52.20
FGB	4100	1/2" bsp	Banjo Coupling	£53.09
FGB	4125	1/2" bsp	Banjo Coupling	£64.35
FGB	4150	1/2" bsp	Banjo Coupling	£65.07
FGB	4175	1/2" bsp	Banjo Coupling	£77.80
FGB	4200	1/2" bsp	Banjo Coupling	£90.50
FGB	4250	1/2" bsp	Banjo Coupling	£93.65
FGB	4300	1/2" bsp	Banjo Coupling	£100.99
FGV	250	1/4" bsp	Vertical	£26.38
FGV	260	1/4" bsp	Vertical	£26.46
FGV	280	1/4" bsp	Vertical	£27.21
FGV	2100	1/4" bsp	Vertical	£27.64
FGV	2125	1/4" bsp	Vertical	£28.39
FGV	2150	1/4" bsp	Vertical	£29.24
FGV	2175	1/4" bsp	Vertical	£32.17
FGV	2200	1/4" bsp	Vertical	£32.56
FGV	2250	1/4" bsp	Vertical	£48.32
FGV	2300	1/4" bsp	Vertical	£55.18
FGV	3100	3/8" bsp	Vertical	£31.27
FGV	3125	3/8" bsp	Vertical	£32.28
FGV	3150	3/8" bsp	Vertical	£33.38
FGV	3175	3/8" bsp	Vertical	£34.52
FGV	3200	3/8" bsp	Vertical	£37.31
FGV	3300	3/8" bsp	Vertical	£64.73
FGV	4100	1/2" bsp	Vertical	£40.25
FGV	4125	1/2" bsp	Vertical	£44.73
FGV	4150	1/2" bsp	Vertical	£49.00
FGV	4175	1/2" bsp	Vertical	£54.79
FGV	4200	1/2" bsp	Vertical	£60.74
FGV	4250	1/2" bsp	Vertical	£68.88
FGV	4300	1/2" bsp	Vertical	£76.93



## DOUBLE BANJO COUPLING

This style of gauge is made to order. Please contact our office with your requirements and we will quote accordingly.

## Boiler Tube Brushes



Size in mm	Size in inches	Steel Single Spiral	Steel Double Spiral	St/Steel	Nylon	Brass
20	22/32"	£14.13	£26.96	£20.96	£18.80	£20.87
22	7/8"	£14.13		£20.96	£18.80	£20.87
25	1"	£14.13	£27.04	£21.12	£18.80	£20.96
28	1 7/64"	£14.13	£27.06	£21.12		£20.96
30	1 3/16"	£16.03		£24.21	£23.45	£24.64
32	1 17/64"	£16.03		£24.21	£23.45	£24.64
35	1 3/8"	£16.12	£27.62	£24.21	£23.45	£24.64
38	1 1/2"	£16.12	£27.30	£24.30	£23.54	£25.31
40	1 37/64"	£16.37	£28.72	£24.30	£23.54	£25.31
44	1 3/4"	£16.70	£29.48	£27.06	£24.88	£28.05
50	2"	£17.12	£29.48	£29.14	£28.15	£30.40
57	2 1/4"	£17.46	£30.06	£31.30	£29.05	£32.56
63	2 1/2"	£17.87	£30.48	£34.07	£29.89	£35.08
69	2 3/4"	£18.80	£31.07	£36.39	£29.89	£37.74
75	3"	£19.44	£32.56	£38.74	£30.48	£39.73
82	3 1/4"	£19.86	£33.31	£41.40	£31.39	£42.25
88	3 1/2"	£20.71		£42.92	£32.91	£44.75
94	3 3/4"	£21.29		£45.92	£34.41	£48.42
101	4"	£21.46	£36.90	£47.09	£35.75	£48.42
125	5"	£24.21	£38.74			
150	6"	£29.40				
200	8"	£35.08				



All brushes 1/2" Whitworth Thread.  
Other sizes and styles  
available upon request.

Rectangular brushes available,  
please contact office

T Handle 1 Mtr long 1/2" Whit £ 23.61  
Extension piece 1/2 Whit £ 23.61

## Washout Plugs / Fusible Plugs

### Fusible Plugs standard



LG2 Gunmetal fusible plugs.  
Lead core - melting point approx 317 deg C  
Serial Numbered for traceability.

29A200 3/8"	bspt	£55.00
29A210 1/2"	bspt	£63.00
29A220 3/4"	bspt	£69.00
29A230 7/8"	bspt	£76.00
29A240 1"	bspt	£86.00
29A250 1 1/4"	bspt	£94.00

Oversized and bespoke options available.  
Please contact us for pricing.



BR Standard Washout Plugs All sizes(1 to 11) or  
BSPT threads  
Guide Price £69 - £145 approx  
(price depending on size, quantity and current  
gunmetal raw material cost.

### BSPT Washout plugs

Size	Thread Length	Max Thread Dia	Whitworth Spanner A/F Size	List Price
3/8"	0.800"	0.669"	0.600" (5/16 Whit. BSW)	£69.00
1/2"	1"	0.843"	0.820" (7/16 Whit. BSW)	£76.10
3/4"	1.125"	1.062"	1.010" (9/16" Whit. BSW)	£92.54
1"	1.25"	1.345"	1.300" (3/4" Whit. BSW)	£poa
1 1/4"	1.50"	1.696"	1.670" (1" Whit. BSW)	£poa
1 1/2"	1.75"	1.880"	1.670" (1" Whit. BSW)	£poa

## Glass and Acrylic Tubes



### Glass Tube Discount

10 - 19 off -10%  
20 - 49 off -15%  
50 - 99 off -20%  
100 off + -25%

### STOCK SIZES

5/8"

9 1/8  
10 1/4  
10 1/2  
12  
16 5/8  
22 1/8  
26 1/16

1/2"

5 5/8  
7  
7 1/4  
7 1/2  
8  
8 1/4  
8 1/2  
8 3/4  
9  
9 1/4  
9 1/2  
10  
10 3/8  
10 1/2  
10 3/4  
11  
11 1/2  
12  
12 3/8  
12 1/2  
12 3/4  
13  
13 1/16  
13 1/4  
13 1/2  
13 3/4  
14  
14 1/2  
15  
15 1/2  
15 3/4  
16  
16 1/8  
16 1/4  
16 1/2  
22 3/4  
1 M

3/4"

8  
8 1/4  
9 1/2  
10  
10 1/4  
10 1/2  
10 5/8  
10 3/4  
11  
11 1/2  
11 3/4  
12  
12 1/8  
12 1/4  
12 1/2  
12 3/4  
13  
13 1/8  
13 1/4  
13 1/2  
13 3/4  
14  
14 1/2  
15  
15 1/4  
15 1/2  
15 3/4  
16  
16 1/8  
16 1/4  
16 1/2  
17  
18  
19  
19 1/2  
22  
22 1/2  
1 M

### HIGH PRESSURE BOROSILICATE GAUGE GLASS

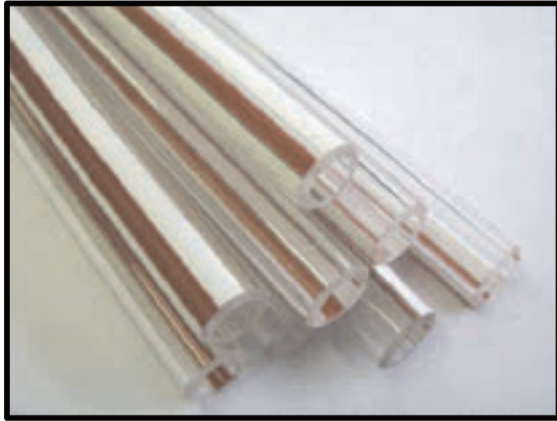
Length Ins	Length mm	1/2" 12.5MM	5/8" 16MM	3/4" 19MM
8	203	£4.24	£6.16	£7.05
10	254	£4.87	£6.77	£8.50
12	305	£5.51	£8.09	£9.05
14	356	£7.01	£9.11	£11.71
16	406	£8.03	£10.78	£12.81
18	457	£8.84	£12.10	£14.29
20	508	£10.07	£14.18	£15.67
24	610	£12.07	£16.11	£17.59
36	914	£17.82	£24.15	£26.34
39 3/8	1000	£20.35	£26.79	£30.65
48	1219	£24.28	£32.14	£36.34
60	1524	£30.60	£40.18	£45.04
72	1829	£36.42	£48.33	£54.32
78 3/4	2000	£40.30	£53.23	£59.44

OTHER DIAMETER GLASSES-PRICE ON APPLICATION  
NON STOCK GLASS SIZES WILL INCUR AN ADDITIONAL CUTTING CHARGE  
OF **£3.00 PER TUBE**

### ACRYLIC TUBE Per foot

1/2" £5.30      5/8" £5.61      3/4" £5.83      1" £8.61

Other sizes available



**Glass  
STOCK SIZES**

<b>3/8"</b>	<b>1/2"</b>	<b>5/8"</b>	<b>3/4"</b>
9	8 1/2	12	13
13	9 1/4		15 1/2
20	11 1/2		16 1/2
	12		
	14 1/2		

**RED/WHITE STRIPE GAUGE GLASS**

Dia	10mm	12.5mm	16mm	19mm
8	£5.02	£6.81	£7.71	£9.62
10	£5.62	£7.85	£9.43	£11.73
12	£6.31	£8.16	£11.26	£13.87
14	£7.64	£9.65	£13.01	£15.91
16	£8.84	£11.26	£14.74	£18.22
18	£9.99	£13.22	£16.61	£20.42
20	£11.25	£14.28	£18.28	£22.57
24	£13.80	£17.32	£21.55	£26.86
36	£21.08	£26.32	£32.67	£39.52
39 3/8	£23.45	£29.50	£35.85	£44.21
48	£27.31	£35.68	£42.84	£52.87
60	£35.89	£44.71	£60.70	£64.70
72	£43.27	£53.85	£64.01	£78.81
78 3/4	£48.08	£60.01	£75.50	£95.98

**CUTTING  
CHARGE**  
£3.00

**Glass Tube  
Discount**

10 - 19 off -10%  
20 - 49 off -15%  
50 - 99 off -20%  
100 off + -25%



**Glass Tube Cutter  
(Squeeze and Pop)**  
£81.23

**Glass Tube Cutter (internal) £ 99.98**

## Pressure ratings for glass tubes

O.D. 1/2" (12.6±0.4mm) Wall 5/64" (2.2±0.3mm)

Length		Max. Pressure No Corrosion @ 65C (150o F)		Steam Boiler Service up to 210C (425o F)	
Inches	mm	Plain	Red Line	Plain	Red Line
8	203	460	390	340	300
10	254	445	370	335	295
12	305	435	360	325	295
14	356	415	345	315	290
15	381	405	*	310	*
16	406	400	335	300	285
18	457	385	325	295	280
20	508	375	310	285	280
22	559	355	*	280	*
24	610	340	280	270	270
30	762	295	250	*	*
36	914	260	215	*	*
48	1219	205	175	*	*
60	1524	155	135	*	*
72	1829	110	100	*	*
*	2000	85	75	*	*

O.D. 5/8" (15.4±0.4mm) Wall 3/32" (2.4±0.3mm)

Length		Max. Pressure No Corrosion @ 65C (150o F)		Steam Boiler Service up to 210C (425o F)	
Inches	mm	Plain	Red Line	Plain	Red Line
8	203	435	370	320	280
10	254	420	345	315	275
12	305	410	335	305	275
14	356	390	325	295	270
15	381	380	*	290	*
16	406	375	315	285	265
18	457	360	305	280	260
20	508	350	290	270	260
22	559	335	*	265	*
24	610	320	265	255	250
30	762	280	235	*	*
36	914	245	205	*	*
48	1219	195	165	*	*
60	1524	150	125	*	*
72	1829	100	90	*	*
*	2000	75	65	*	*

O.D. 3/4" (18.6±0.4mm) Wall 7/64" (3.0±0.3mm)

Length		Max. Pressure No Corrosion @ 65C (150o F)		Steam Boiler Service up to 210C (425o F)	
Inches	mm	Plain	Red Line	Plain	Red Line
8	203	425	360	315	280
10	254	410	340	310	275
12	305	400	330	300	275
14	356	385	320	290	270
15	381	375	*	285	*
16	406	370	310	280	265
18	457	355	300	275	260
20	508	345	285	265	260
22	559	330	*	260	*
24	610	315	260	250	250
30	762	275	230	*	*
36	914	240	200	*	*
48	1219	190	160	*	*
60	1524	145	125	*	*
72	1829	100	100	*	*
*	2000	75	65	*	*



## PANELS TOUGHENED SODA LIME

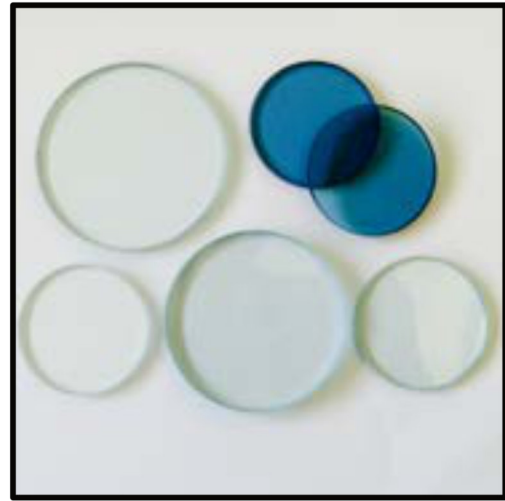
Other thicknesses, lengths  
and widths are to order.  
Please ring for prices.

02A010	Panels 10 1/2 x 2 1/2 x 3/8	£33.97	02B190	Panels 4 x 1 3/4 x 3/8	£22.82
02A020	Panels 10 1/2 x 2 x 3/8	£30.02	02A410	Panels 4 x 2 1/2 x 3/8	£25.17
02B010	Panels 10 1/4 x 1 3/4 x 3/8	£30.02	02A420	Panels 4 x 2 x 3/8	£22.82
02A030	Panels 10 1/4 x 2 1/2 x 3/8	£33.97	02B370	Panels 5 1/2 x 1 3/4 x 3/8	£22.82
02A040	Panels 10 1/4 x 2 x 3/8	£30.02	02A430	Panels 5 1/2 x 2 1/2 x 3/8	£25.17
02B020	Panels 10 5/8 x 1 3/4 x 3/8	£30.02	02A440	Panels 5 1/2 x 2 x 3/8	£22.82
02A050	Panels 10 x 2 1/2 x 3/8	£32.61	02A450	Panels 5 1/4 x 2 1/2 x 3/8	£25.17
02A060	Panels 10 x 2 x 3/8	£27.87	02A460	Panels 5 1/4 x 2 x 3/8	£22.82
02A090	Panels 11 1/2 x 2 1/2 x 3/8	£36.08	02B200	Panels 5 1/8 x 1 3/4 x 3/8	£22.82
02A100	Panels 11 1/2 x 2 x 3/8	£31.73	02B210	Panels 5 3/4 x 1 3/4 x 3/8	£22.82
02B030	Panels 11 5/8 x 1 3/4 x 3/8	£31.73	02A470	Panels 5 x 2 1/2 x 3/8	£25.17
02A080	Panels 11 x 2 1/2 x 3/8	£33.97	02A480	Panels 5 x 2 x 3/8	£22.82
02A070	Panels 11 x 2 x 3/8	£30.02	02B220	Panels 6 1/2 x 1 3/4 x 3/8	£24.04
02A110	Panels 12 1/2 x 2 1/2 x 3/8	£37.75	02A490	Panels 6 1/2 x 2 1/2 x 3/8	£27.54
02A120	Panels 12 1/2 x 2 x 3/8	£33.43	02A500	Panels 6 1/2 x 2 x 3/8	£24.04
02B040	Panels 12 3/8 x 1 3/4 x 3/8	£33.43	02B230	Panels 6 1/4 x 1 3/4 x 3/8	£24.04
02A130	Panels 12 x 2 1/2 x 3/8	£36.08	02A510	Panels 6 1/4 x 2 1/2 x 3/8	£27.54
02A140	Panels 12 x 2 x 3/8	£31.73	02A520	Panels 6 1/4 x 2 x 3/8	£24.04
02A150	Panels 13 1/2 x 2 1/2 x 3/8	£39.44	02A540	Panels 6 13/16 x 2 1/2 x 3/8	£27.54
02A160	Panels 13 1/2 x 2 x 3/8	£35.35	02A530	Panels 6 13/16 x 2 x 3/8	£24.04
02A170	Panels 13 x 2 1/2 x 3/8	£37.75	02B240	Panels 6 5/8 x 1 3/4 x 3/8	£24.04
02A180	Panels 13 x 2 x 3/8	£33.43	02B250	Panels 6 x 1 3/4 x 3/8	£22.82
02A200	Panels 14 1/2 x 2 1/2 x 3/8	£41.23	02A550	Panels 6 x 2 1/2 x 3/8	£25.17
02A190	Panels 14 1/2 x 2 x 3/8	£37.06	02A560	Panels 6 x 2 x 3/8	£22.82
02B050	Panels 14 1/4 x 1 3/4 x 3/8	£37.06	02B260	Panels 7 1/2 x 1 3/4 x 3/8	£25.98
02B060	Panels 14 5/8 x 1 3/4 x 3/8	£37.06	02A570	Panels 7 1/2 x 2 1/2 x 3/8	£28.92
02A210	Panels 14 x 2 1/2 x 3/8	£41.23	02A580	Panels 7 1/2 x 2 x 3/8	£25.98
02A220	Panels 14 x 2 x 3/8	£35.35	02A590	Panels 7 1/4 x 2 1/2 x 3/8	£28.92
02A230	Panels 15 1/2 x 2 1/2 x 3/8	£42.33	02A600	Panels 7 1/4 x 2 x 3/8	£25.98
02A240	Panels 15 1/2 x 2 x 3/8	£39.61	02B270	Panels 7 1/8 x 1 3/4 x 3/8	£25.98
02A250	Panels 19 1/2 x 2 1/2 x 3/8	£61.21	02B280	Panels 7 x 1 3/4 x 3/8	£24.04
02A260	Panels 19 1/2 x 2 x 3/8	£51.39	02A610	Panels 7 x 2 1/2 x 3/8	£27.54
02B070	Panels 2 1/2 x 1 3/4 x 3/8	£22.82	02A620	Panels 7 x 2 x 3/8	£24.04
02A280	Panels 20 1/2 x 2 1/2 x 3/8	£71.29	02B360	Panels 8 1/2 x 1 3/4 x 3/8	£26.54
02A270	Panels 20 1/2 x 2 x 3/8	£58.51	02A630	Panels 8 1/2 x 2 1/2 x 3/8	£31.00
02B080	Panels 20 5/8 x 1 3/4 x 3/8	£58.51	02A640	Panels 8 1/2 x 2 x 3/8	£26.54
02A290	Panels 20 x 2 1/2 x 3/8	£61.21	02B290	Panels 8 1/4 x 1 3/4 x 3/8	£26.54
02A300	Panels 20 x 2 x 3/8	£51.39	02B300	Panels 8 3/8 x 1 3/4 x 3/8	£26.54
02B090	Panels 21 3/8 x 1 3/4 x 3/8	£65.68	02B310	Panels 8 5/8 x 1 3/4 x 3/8	£26.54
02B100	Panels 3 1/2 x 1 3/4 x 3/8	£22.82	02A770	Panels 8 9/16 x 2 1/2 x 3/8	£31.00
02A310	Panels 3 1/2 x 2 1/2 x 3/8	£25.17	02A780	Panels 8 9/16 x 2 x 3/8	£26.54
02A320	Panels 3 1/2 x 2 x 3/8	£22.82	02A650	Panels 8 x 2 1/2 x 3/8	£28.92
02A330	Panels 3 1/4 x 2 1/2 x 3/8	£25.17	02A660	Panels 8 x 2 x 3/8	£25.98
02A340	Panels 3 1/4 x 2 x 3/8	£22.82	02B320	Panels 9 1/2 x 1 3/4 x 3/8	£27.87
02B110	Panels 3 1/8 x 1 3/4 x 3/8	£22.82	02A670	Panels 9 1/2 x 2 1/2 x 3/8	£32.61
02B120	Panels 3 3/4 x 1 3/4 x 3/8	£22.82	02A680	Panels 9 1/2 x 2 x 3/8	£27.87
02A350	Panels 3 3/4 x 2 1/2 x 3/8	£25.17	02A690	Panels 9 1/4 x 2 1/2 x 3/8	£32.61
02A360	Panels 3 3/4 x 2 x 3/8	£22.82	02A700	Panels 9 1/4 x 2 x 3/8	£27.87
02B130	Panels 3 5/8 x 1 3/4 x 3/8	£22.82	02B330	Panels 9 1/8 x 1 3/4 x 3/8	£26.54
02B140	Panels 4 1/2 x 1 3/4 x 3/8	£22.82	02A720	Panels 9 3/4 x 2 1/2 x 3/8	£32.61
02A370	Panels 4 1/2 x 2 1/2 x 3/8	£25.17	02A710	Panels 9 3/4 x 2 x 3/8	£27.87
02A380	Panels 4 1/2 x 2 x 3/8	£22.82	02A750	Panels 9 5/16 x 2 1/2 x 3/8	£32.61
02B150	Panels 4 1/4 x 1 3/4 x 3/8	£22.82	02A760	Panels 9 5/16 x 2 x 3/8	£27.87
02A390	Panels 4 1/4 x 2 1/2 x 3/8	£25.17	02B340	Panels 9 5/8 x 1 3/4 x 3/8	£27.87
02A400	Panels 4 1/4 x 2 x 3/8	£22.82	02B350	Panels 9 7/8 x 1 3/4 x 3/8	£27.87
02B160	Panels 4 15/16 x 1 3/4 x 3/8	£22.82	02A730	Panels 9 x 2 1/2 x 3/8	£31.00
02B170	Panels 4 3/8 x 1 3/4 x 3/8	£22.82	02A740	Panels 9 x 2 x 3/8	£26.54
02B180	Panels 4 7/8 x 1 3/4 x 3/8	£22.26			

**CIRCLES CLEAR (Toughened Soda Lime) &  
CIRCLES / BLUE & BORO CIRCLES AND SQUARES**

**FLAME SIGHT GLASS**

03A010	Circles TSL 102mm x 6mm	£14.51
03A020	Circles TSL 115mm x 10mm	£28.88
03A025	Circles TSL 115mm x 15mm	£42.17
03A030	Circles TSL 115mm x 6mm	£16.15
03A040	Circles TSL 120mm x 12mm	£34.51
03A050	Circles TSL 127mm x 6mm	£16.15
03A060	Circles TSL 35mm x 10mm	£15.75
03A070	Circles TSL 38mm x 5mm	£6.94
03A080	Circles TSL 40mm x 5mm	£7.97
03A090	Circles TSL 43mm x 6mm	£8.89
03A100	Circles TSL 45mm x 6mm	£8.89
03A110	Circles TSL 50mm x 10mm	£17.30
03A120	Circles TSL 50mm x 3mm	£7.70
03A130	Circles TSL 50mm x 5mm	£7.97
03A140	Circles TSL 50mm x 6mm	£8.95
03A150	Circles TSL 54mm x 5mm	£9.95
03A160	Circles TSL 54mm x 6mm	£11.13
03A170	Circles TSL 55mm x 3mm	£8.31
03A180	Circles TSL 55mm x 5mm	£9.95
03A190	Circles TSL 55mm x 6mm	£11.20
03A200	Circles TSL 56mm x 5mm	£9.95
03A210	Circles TSL 57mm x 5mm	£9.95
03A220	Circles TSL 57mm x 6mm	£11.20
03A230	Circles TSL 60mm x 5mm	£9.95
03A240	Circles TSL 63mm x 12mm	£25.24
03A250	Circles TSL 63mm x 5mm	£9.95
03A260	Circles TSL 65mm x 5mm	£10.70
03A270	Circles TSL 70mm x 10mm	£19.95
03A280	Circles TSL 70mm x 6mm	£12.94
03A290	Circles TSL 73mm x 10mm	£19.95
03A300	Circles TSL 75mm x 10mm	£18.99
03A310	Circles TSL 75mm x 5mm	£10.70
03A320	Circles TSL 80mm x 6mm	£13.68
03A330	Circles TSL 82mm x 6mm	£13.68
03A340	Circles TSL 89mm x 6mm	£13.68
03B001	Circles Annealed Boro 82mm x 3mm	£23.46
03B020	Circles Tough Borosilicate 161mm x 3mm	£21.58
03B030	Circles Tough Borosilicate 7 1/2 Dia x 3/4"	£178.24
03B040	Circles Tough Boro 125mm Dia x 20mm	£155.52
03C010	Circles Blue 50mm x 6mm	£11.32
03C020	Circles Blue 55mm x 6mm	£11.74
03C030	Circles Blue 57mm x 6mm	£11.91
03C040	Circles Blue 85mm x 5mm	£19.26
03C050	Circles Dark Blue 56mm x 6mm	£26.40
03C060	Circles Dark Blue 82mm x 3mm	£28.14
03D010	Square 50mm x 50mm x 6mm clear	£10.04
03D020	Square Clear 48mm x 48mm x 6mm	£10.04
03D100	Square Blue 57 x 57 x 5	£9.71
03D120	Square Blue 2 x 2 x 1/4	£9.35
03D130	Square Blue 48 x 48 x 6mm	£10.11



Other sizes and shapes available,  
Please contact us with your requirements.

**Types of glass.**

**Toughened Soda Lime** (to 250 Deg C) - suitable for many general purpose product applications. It should however be noted that, due to its high thermal expansion, the resistance of soda-lime glass to sudden temperature change is comparatively poor.

**Borosilicate** (to 400 Deg C) - is extensively used for process applications because of its high resistance to chemical corrosion and temperature change.

**Quartz** (above 400 deg C) - This material has excellent chemical resistance properties and is highly suited to extreme heat applications, with a continuous working temperature of 1150°C and an upper limit of 1300°C.

Quartz also has good resistance to thermal shock due to its low co-efficient of expansion ( $0.55 \times 10^{-6} / ^\circ\text{C}$ ) however this low expansion means that toughening is not possible, and this must be considered if the application involves pressure

## CONES

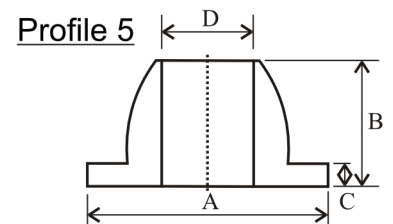
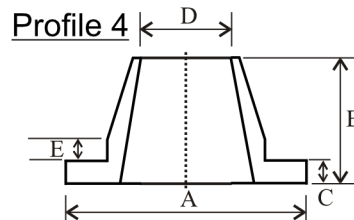
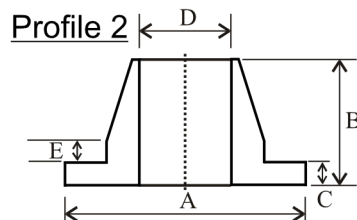
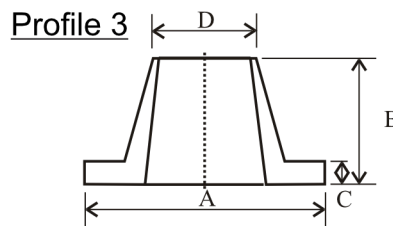
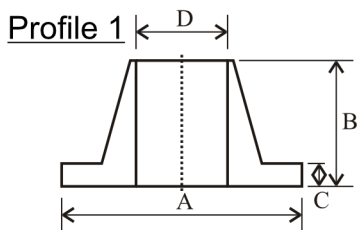


Cone	Glass dia.	Unit Price	Price / 100
No 3	1/2"	£1.65	£148.72
No 12	1/2"	£1.47	£132.19
No 74	1/2"	£1.66	£149.63
No 90	1/2"	£1.03	£92.72
Wallico	1/2"	£3.58	
Wallico	5/8"	£3.80	
No 7	3/4"	£1.65	£148.72
No 7 H	3/4"	£4.07	£366.28
Dexine No 7	3/4"	£2.88	£258.88
No 58	3/4"	£1.82	£163.40
No 75	3/4"	£1.66	£149.63
No 92	3/4"	£1.16	£104.65
K34 Klinger	3/4"	£3.66	£329.56

Part No.	Glass diameter	Base A	Height B	Flange C	Bore D	Collar E
<b>Profiles 1 and 2 (Parallel bore)</b>						
12	1/2" (13)	15/16" (23)	11/16" (18)	3/16" (5)	1/2" (13)	
74	1/2" (13)	1 1/8" (28)	7/8" (22)	5/16" (8)	1/2" (13)	1/8" (3.5)
58	3/4" (19)	17/16" (33)	3/4" (19)	1/4" (6)	3/4" (19)	
75	3/4" (19)	1 1/8" (29)	7/8" (22)	9/32" (7)	3/4" (19)	
Dexine No 7	3/4" (19)	17/16" (33)	29/32" (23)	9/32" (7)	3/4" (19)	

<b>Profiles 3 and 4 (Taper bore)</b>						
3	1/2" (13)	1" (25)	5/8" (16)	3/16" (5)	9/16" - 7/16" (14-12)	
7	3/4" (19)	1 5/16" (33)	3/4" (19)	5/16" (8)	3/4" - 5/8" (19-16)	
7H (Hopkinson)	3/4" (19)	1 1/4" (32)	11/16" (17)	3/16" (5)	3/4" - 11/16" (19-17)	
K34 (Klinger)	3/4" (19)	1 7/16" (33)	15/16" (23)	3/16" (5)	3/4" - 1/16" (19-17)	1/4" (6)
3/8" Wallico	3/8" (10)	7/8" (22)	11/16" (17)	1/4" (6.5)	(7 - 9.3)	
1/2" Wallico	1/2" (13)	1" (25)	11/16" (17)	1/4" (6.5)	(11 - 12.5)	
5/8" Wallico	5/8" (17)	1 1/8" (28.7)	11/16" (17)	1/4" (6.5)	(14.3 - 15.5)	

<b>Profile 5 (Curved outer)</b>						
90	1/2" (13)	1 7/8" (29)	5/8" (16)	3/16" (5)	1/2" (13)	
92	3/4" (19)	1 7/4" (31)	5/8" (16)	3/16" (5)	3/4" (19)	



## Seals

### SQUARE SECTION EPDM RUBBERS

ID		OD		Thickness	Each	Per 100
3/8	x	5/8	x	1/4	£1.92	£172.80
3/8	x	3/4	x	3/8	£1.56	£140.40
1/2	x	9/16	x	5/8	£0.99	£89.10
1/2	x	3/4	x	1/4	£0.99	£89.10
1/2	x	3/4	x	3/8	£1.59	£143.10
1/2	x	7/8	x	1/4	£0.99	£89.10
1/2	x	7/8	x	3/8	£1.18	£106.20
1/2	x	13/16	x	7/16	£1.18	£106.20
1/2	x	3/4	x	1/2	£2.10	£189.00
1/2	x	7/8	x	1/2	£1.50	£135.00
1/2	x	1	x	1/2	£2.32	£208.80
5/8	x	7/8	x	1/4	£1.23	£110.70
5/8	x	7/8	x	1/2	£1.92	£172.80
5/8	x	13/16	x	1/4	£1.23	£110.70
5/8	x	1	x	1/2	£1.92	£172.80
5/8	x	1	x	5/8	£2.32	£208.80
3/4	x	1	x	5/16	£1.23	£110.70
3/4	x	1	x	1/2	£1.50	£135.00
3/4	x	1	x	3/4	£3.97	£357.30
3/4	x	1 3/64	x	3/8	£1.65	£148.50
3/4	x	1 1/8	x	1/2	£2.79	£251.10

Our standard stock rubbers and cones are manufacture in EPDM rubber.

Note that we also stock some sizes in Viton and Nitrile.

Other sizes are also available



### COPPER WASHERS



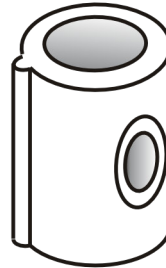
#### Copper Jacketed Washers.

Besides forming an excellent seal, compressible Copper Jacketed Washers facilitate a greater range of free movement when aligning a fitting in comparison to a fibre washer.

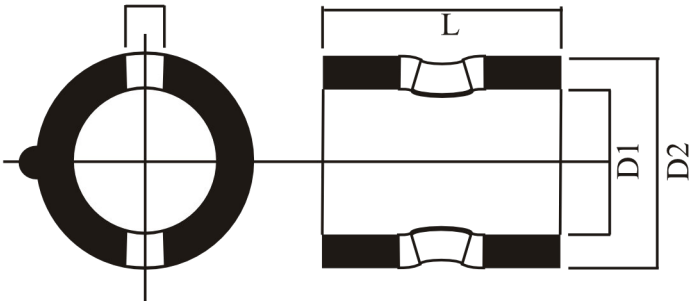
04D010	Copper Jacketed Washer 1 1/2 BSP"	£ 5.10
04D020	Copper Jacketed Washer 1 BSP"	£1.75
04D100	Copper Jacketed Washer 1 Whitworth"	£1.65
04D030	Copper Jacketed Washer 1 x 5/8" x 1/8"	£1.36
04D040	Copper Jacketed Washer 1/2 BSP"	£1.21
04D110	Copper Jacketed Washer 1/4 BSP"	£0.93
04D060	Copper Jacketed Washer 25.5mm x 19mm x 3mm	£1.36
04D080	Copper Jacketed Washer 3/4 BSP"	£1.36
04D090	Copper Jacketed Washer 7/8 BSP"	£1.52
04D050	Copper Jacketed Washer 3/8 BSP"	£1.36
04C020	Copper Washer 18mm x 10mm x 1.5mm	£1.37
04C010	Copper Washer Solid 3/8 BSP"	£1.39

## HIGH PERFORMANCE FLOUROSINT PTFE OR GRAPHOIL PACKING SLEEVES

Size	Inside Dia D1 (mm)	Outside Dia D2 (mm)	Length (Uncompressed) L (mm)
AB 10	10	14	18.5
AB 12	12	18	23
AB 18	18	26	32
AB 22	22	33	37
AB 28	28	38	44
AB 32	32	45	52
AB 40	40	52	56
AB 50	50	62	65
<b>DEWRANCE 1/2" TAPER</b>			
	9/16" / 7/16"	29/32"	7/8"
	(14)/(11)	(20)	(22)
<b>DEWRANCE 3/4" TAPER</b>			
	13/16" / 5/8"	1 3/16"	1 5/32"
	(21)/(16)	(30)	(29)
<b>SHAW SON &amp; GREENHALGH 20mm</b>			
	25/32"	1 3/16"	1 9/32"
	(20)	(30)	(32)



We stock and supply packing sleeves to enable all leading makes of isolation cocks to be refurbished. Packing sleeves are available to suit: Klinger, Bonetti Reflex, Chanters water gauges, Dewrance, Shaw Son & Greenhaugh, Hopkinson, Miro, Gresswell, A&J etc. We also hold a vast range of cones and rings made from different materials to meet all the requirements of the leading makes of gauge isolation.



### PTFE (Flourosint)



33B050	AB 10 (2 port)	£9.50
33B090	AB 12 (2 port)	£10.79
33B010	AB 12 (3 port)	£14.57
33B150	AB 18 (2 port)	£15.11
33B030	AB 18 (3 port)	£17.37
33B040	AB 18 (4 port)	£20.79

Stainless steel eyelets can be fitted to the PTFE sleeves at an additional charge

### GRAPHOIL



33A020	AB 10 (2 port)	£8.86
33A030	AB 12 (2 port)	£10.32
AB 12 (3 port)		£13.99
33A040	AB 18 (2 port)	£14.45
33A170	AB 18 (3 port)	£16.82
33A090	AB 18 (4 port)	£18.46
33A050	AB 20 (2 port)	£20.40
33A060	AB 22 (2 port)	£24.16
33A070	AB 28 (2 port)	£27.81
AB 32 (2 port)	POA	
33A010	3/4" Dewrance Taper	£23.51

09B210  
KU16 Gland Packing  
Rings £3.51 each

Dewrance Hex Packing  
1/2" £3.56  
3/4" £4.80

#### Sleeves Discount

10 - 19 off -10%  
20 - 49 off -15%  
50 - 99 off -20%  
100 off + -25%

## Gauge Cocks



**0080**



**0090**



**0120**

### Round Barrel Test Cocks

Polished finish. Lever in line with body when open.

Material Brass BS 2874 Cz121  
Hyd. test pressure 200 psi (14 BAR)  
Max. W.P. 100 psi (7 BAR)

#### **BENT NOSE COCK. SERIES 0080 (0100 'T' lever)**

Figure number:		<b>0081</b>	<b>0082</b>	<b>0083</b>
Screwed BSP male thread	ins	1/4"	3/8"	1/2"
Bore size	ins	3/16"	1/4"	5/16"
	mm	5	6	8
Approx. Weight	lbs - ozs	0 - 5	0 - 6 1/2	0 - 9
	Kg	0.14	0.18	0.25
<b>Price:</b>		<b>£17.63</b>	<b>£20.43</b>	<b>£25.39</b>

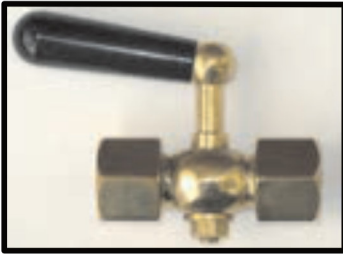
#### **STRAIGHT NOSE COCK. SERIES 0090 (0110 'T' lever)**

Figure number:		<b>0090</b>	<b>0091</b>	<b>0092</b>	<b>0093</b>	<b>0094</b>
Screwed BSP male thread	ins	1/8"	1/4"	3/8"	1/2"	3/4"
Bore size	ins	5/32"	3/16"	1/4"	5/16"	1/2" x 3/8"
	mm	4	5	6	8	13 x 10
Approx. Weight	lbs - ozs	0 - 3 1/2	0 - 4 1/2	0 - 6	0 - 8	0 - 15
	Kg	0.10	0.12	0.17	0.22	0.42
<b>Price:</b>		<b>£16.46</b>	<b>£18.03</b>	<b>£19.45</b>	<b>£25.08</b>	<b>£37.88</b>

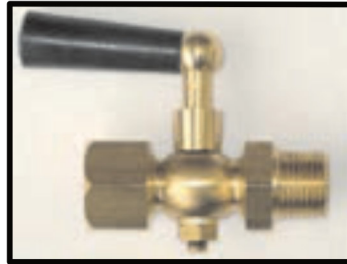
#### **STRAIGHT UNION COCK. SERIES 120**

Figure number:		<b>0121</b>	<b>0122</b>	<b>0123</b>	<b>0124</b>
Inlet BSP male thread	ins	1/4"	3/8"	1/2"	3/4"
Union End BSP thread	ins	1/4"	3/8"	1/2"	3/4"
Bore size	ins	3/16"	1/4"	5/16"	1/2" x 3/8"
	mm	5	6	8	13 x 10
Tailpipe for o/d pipe	ins	3/8"	3/8"	1/2"	3/4"
	mm	6, 10	6, 10	10, 13	13, 19
Approx. Weight	lbs ozs	0 - 5	0 - 8	0 - 10 3/4	1 - 5
	Kg	0.14	0.22	0.29	0.59
<b>Price:</b>		<b>£20.75</b>	<b>£25.06</b>	<b>£31.59</b>	<b>£44.16</b>

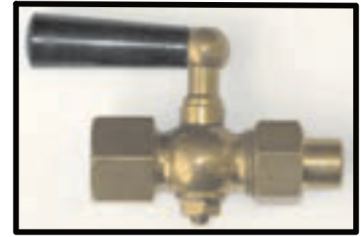
## Pressure Gauge cocks



**0200**



**0210**



**0220**

### Pressure Gauge Cocks

Polished finish as standard. Moulded lever in line with body when open

**Material Brass BS 2874 Cz121**  
**Hyd. test pressure 300 psi (21 BAR)**  
**Mas. W.P. 150 psi (10 BAR)**

#### SERIES 0200 F x F

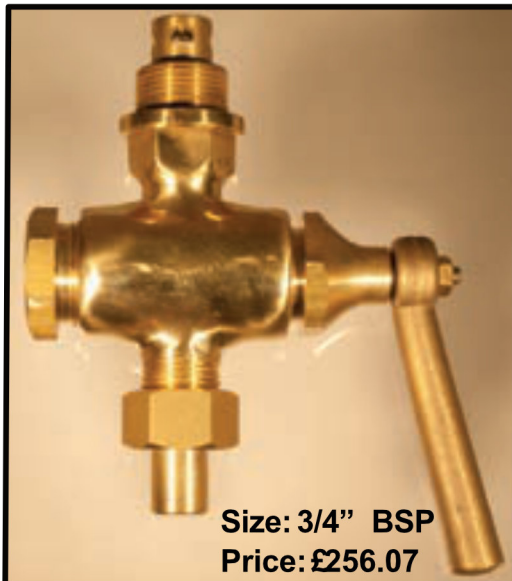
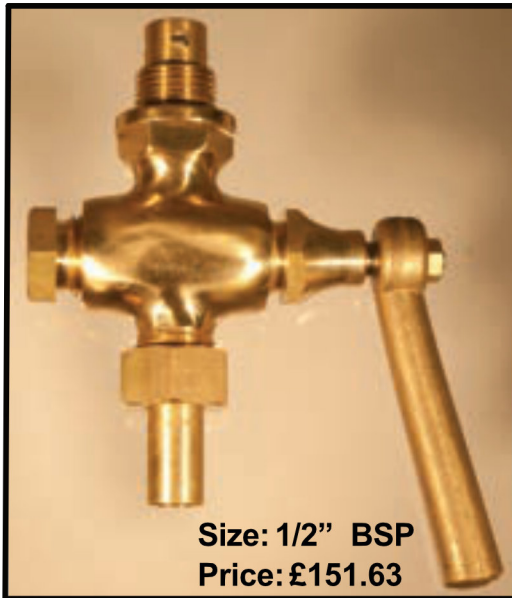
Figure number:		<b>0201</b>	<b>0202</b>	<b>0203</b>
BSP Thread		1/4"	3/8"	1/2"
Approx. Weight	lbs ozs	0.5	0.8	0.1
	Kg	0.14	0.22	0.31
	<b>Price:</b>	<b>£11.39</b>	<b>£12.02</b>	<b>£14.59</b>

#### SERIES 0210 M x F

Figure number:		<b>0211</b>	<b>0212</b>	<b>0213</b>
BSP Thread		1/4"	3/8"	1/2"
Approx. Weight	lbs ozs	0.5	0.8	0.1
	Kg	0.14	0.22	0.28
	<b>Price:</b>	<b>£11.71</b>	<b>£19.36</b>	<b>Obsolete</b>

#### SERIES 0220 F x U

Figure number:		<b>0221</b>	<b>0222</b>	<b>0223</b>
BSP Thread		1/4"	3/8"	1/2"
Approx. Weight	lbs ozs	0.6	0.8	0.1
	Kg	0.17	0.22	0.28
	<b>Price:</b>	<b>Obsolete</b>	<b>£20.05</b>	<b>Obsolete</b>



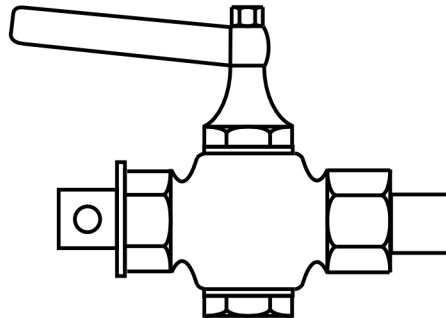
## Drain Sleeve Packed Cocks

Polished finish. Lever in line with body when open.

**Material BS 1400-LG2-c**  
**Hyd. test pressure 500 lbs/in<sup>2</sup> 34.5 BAR**  
**Max. W.P. 250 lbs/in<sup>2</sup> 17.2 BAR at 260°C**

Fitted with automatic shut-off valve

Screwed BSP male thread	ins	$\frac{3}{8}$	$\frac{1}{2}$	$\frac{3}{4}$
Tailpiece screwed female	ins	$\frac{3}{8} \times 26$	$\frac{3}{8} \times 26$	$\frac{1}{2} \times 26$
		T.P.I.	T.P.I.	T.P.I.
Approx. Weight	lbs ozs	0.15	1.8	2.8
	Kg	.42	.68	1.13



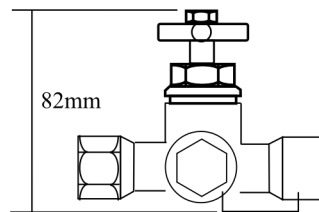
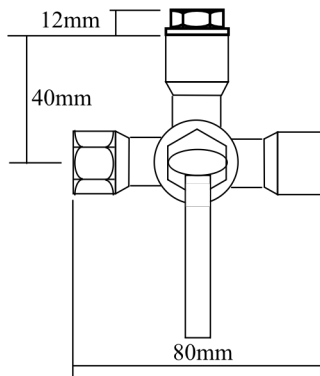
**Type 0295 Inspection Cock**  
Sleeve Packed design.

Body = Cast Brass  
Spindle = Brass  
Plug = Brass  
Handle = cast steel painted  
Seals = PTFE

Hydraulic Pressure tested to 500 psi  
Recommended SWP 250 psi 17.2 BAR  
Approximate weight = 630g

Part number 18A295

**Price: £45.17 each.**



**Type 0291 and 0293 Gunmetal**  
**Inspection Cocks**

Taper Plug design

The fig. 0291 has all ends threaded 3/8" BSP.  
18A291

**Price: £39.83 each.**

The fig. 0293 is identical in appearance to the  
fig. 0291, but the test arm is fitted with a 3/4"  
Whitworth stopper.  
18A293

**Price: £44.13 each.**

Hydraulic Test Pressure: 300psi.  
Max. Working Pressure: 150psi. (10.3bar) at  
366F





Description	Price
TOPOG-E Series 180 Joint 2 1/2" x 1 7/8" x 1/2"	8.16
TOPOG-OB Series 180 Joint 6 1/2" x 4 1/2" x 7/8"	28.45
TOPOG-E Series 180 Joint 3 7/8" x 2 7/8" x 1/2"	10.21
TOPOG-E Series 180 Joint 16" x 12" x 1 1/4"	59.77
TOPOG-E Series 180 Joint 16" x 12" x 1"	59
TOPOG-E Series 180 Joint 12" x 9" x 1"	52.44
TOPOG-E Series 180 Joint 6" x 4" x 3/4"	14.41
TOPOG-E Series 180 Joint 5" x 3 1/2" x 1/2"	13.46
TOPOG-E Series 180 Joint 4 1/2" x 3 1/2" x 1/2"	10.53
TOPOG-E Series 180 Joint 4 1/2" x 3" x 5/8"	10.65
TOPOG-E Series 180 Joint 15" x 11" x 1 1/4"	58.42
TOPOG-E Series 180 Joint 4" x 3" x 1/2"	9.83
TOPOG-E Series 180 Joint 8" x 6" x 3/4"	26.22
TOPOG-E Series 180 Joint 320mm x 220mm x 25mm	54.89
TOPOG-E Series 180 Joint 6" x 4" x 5/8"	12.97
TOPOG-E Series 180 Joint 15" x 11" x 1"	56.54
TOPOG-E Series 180 Joint 420mm x 320mm x 25mm	60.81
TOPOG-E Series 180 Joint 4 1/2" x 3" x 1/2"	10.49
TOPOG-E Series 180 Joint 400mm x 300mm x 25mm	60.49
TOPOG-E Series 180 Joint 5" x 3 1/4" x 9/16"	11.22
TOPOG-E Series 180 Joint 15" x 12" x 1"	56.91
TOPOG-E Series 180 Joint 5" x 3" x 9/16"	10.65
TOPOG-E Series 180 Joint 3 1/2" x 2 1/2" x 1/2"	8.87
TOPOG-E Series 180 Joint 5" x 4" x 5/8"	11.02
TOPOG-E Series 180 Joint 4 3/4" x 3 3/4" x 9/16"	10.99
TOPOG-E Series 180 Joint 14" x 10" x 1"	57.25
TOPOG-E Series 180 Joint 4" x 3" x 3/4"	10.99
TOPOG-E Series 180 Joint 9" x 7" x 3/4"	33.45
TOPOG-E Series 180 Joint 5" x 3 1/2" x 3/4"	14.7
TOPOG-E Series 180 Joint 15" x 12" x 1 1/4"	57.71
TOPOG-E Series 180 Joint 7" x 5" x 3/4"	22.48
TOPOG-E Series 180 Joint 14" x 11" x 1 3/8"	58.99
TOPOG-E Series 180 Joint 300mm x 200mm x 25mm	56.44
TOPOG-OB Series 180 Joint 4" x 3" x 1/2"	10.38
TOPOG-OB Series 180 Joint 5" x 3 1/2" x 9/16"	12.42
TOPOG-OB Series 180 Joint 4 3/4" x 3 1/4" x 5/8"	12.07
TOPOG-OB Series 180 Joint 4 3/4" x 3 1/4" x 1/2"	11.91
TOPOG-E Series 180 Joint 14" x 9" x 1 1/4"	55.78
TOPOG-E Series 180 Joint 5 1/2" x 4" x 3/4"	14.1
TOPOG-E Series 180 Joint 4 1/2" x 3 1/4" x 1/2"	10.89
TOPOG-E Series 180 Joint 11" x 8" x 1"	51.13
TOPOG-E Series 180 Joint 15 1/2" x 12" x 1"	57.05
TOPOG-E Series 180 Joint 15 1/2" x 12" x 1 1/4"	57.86
TOPOG-E Series 180 Joint 11 1/2" x 7 1/2" x 1"	51.65
TOPOG-E Series 180 Joint 4 1/2" x 3 1/2" x 7/16"	10.89
TOPOG-E Series 180 Joint 18" x 14" x 1 1/2"	85.97
TOPOG-E Series 180 Joint 16" x 10" x 1 1/4"	58.77
TOPOG-E Series 180 Joint 15 1/2" x 9 1/2" x 1"	56.95
TOPOG-E Series 180 Joint 14" x 10" x 1 1/2"	58.42



TOPOG-E Series 180 Joint 14 1/2" x 10 1/2" x 1 1/4"	57.76
TOPOG-E Series 180 Joint 14" x 10 1/2" x 1 1/4"	58.77
TOPOG-E Series 180 Joint 14 1/2" x 11 1/2" x 1 1/4"	59.31
TOPOG-E Series 180 Joint 14 3/4" x 10 3/4" x 1 1/4"	57.76
TOPOG-E Series 180 Joint 14 1/2" x 11" x 1"	57.25
TOPOG-E Series 180 Joint 18" x 16" x 1 1/4"	108.17
TOPOG-E Series 180 Joint 15 1/2" x 11 1/2" x 1 1/4"	57.38
TOPOG-E Series 180 Joint 3" x 2" x 3/8"	7.52
TOPOG-E Series 180 Joint 3 1/4" x 2 1/4" x 1/2"	8.37
TOPOG-E Series 180 Joint 8" x 6" x 1"	28.06
TOPOG-E Series 180 Joint 16" x 11" x 1 1/4"	59.84
TOPOG-OB Series 180 Joint 320mm x 220mm x 25mm	56.97
TOPOG-OB Series 180 Joint 16" x 12" x 1 1/2"	62.89
TOPOG-E Series 180 Joint 5 1/2" x 4 1/2" x 5/8"	12.97
TOPOG-E Series 180 Joint 426mm x 326mm x 35mm	64.13
TOPOG-E Series 180 Joint 9" x 6" x 1"	29.41
TOPOG-E Series 180 Joint 6 1/2" x 4 1/2" x 9/16"	19.67
TOPOG-E Series 180 Joint 150mm x 100mm x 15mm	14.12
TOPOG-E Series 180 Joint 3 1/4" x 2 1/2" x 3/8"	8.05
TOPOG-E Series 180 Joint 5 1/4" x 4 1/2" x 3/8"	12.35
TOPOG-OB Series 180 Joint 3 1/2" x 2 1/2" x 1/2"	9.38
TOPOG-E Series 180 Joint 4 1/2" x 3 1/2" x 5/8"	11.22
TOPOG-E Series 180 Joint 3 1/2" x 2 3/4" x 1/2"	10.21
TOPOG-E Series 180 Joint 200mm x 150mm x 15mm	24.56
TOPOG-E Series 180 Joint 120mm x 80mm x 15mm	10.8
TOPOG-E Series 180 Joint 3 3/4" x 2 3/4" x 1/2"	10.04
TOPOG-E Series 180 Joint 5 1/2" x 3 3/4" x 9/16"	11.2
TOPOG-E Series 180 Joint 14 3/4" x 11" x 1 1/2"	61.03
TOPOG-E Series 180 Joint 4 1/2" x 3" x 3/4"	11.43
TOPOG-E Series 180 Joint 5 1/8" x 4 1/4" x 3/8"	15.22
TOPOG-OB Series 180 Joint 6" x 4 1/2" x 5/8"	14.98
TOPOG-E Series 180 Joint 4 1/4" x 3 1/4" x 1/2"	10.71
TOPOG-E Series 180 Joint 16 1/4" x 12 1/2" x 1 1/4"	62.19
TOPOG-E Series 180 Joint 3 1/2" x 2 1/4" x 1/2"	8.26
TOPOG-E Series 180 Joint 5 3/4" x 3 3/4" x 5/8"	18.13
TOPOG-E Series 180 Joint 3 3/4" x 2 3/4" x 5/8"	10.38
TOPOG-E Series 180 Joint 250mm x 180mm x 25mm	53.35
TOPOG-OB Series 180 Joint 3" x 2" x 1/2"	8.53
TOPOG-OB Series 180 Joint 4 1/2" x 3 1/4" x 1/2"	11.74
TOPOG-E Series 180 Joint 140mm x 100mm x 15mm	14.22
TOPOG-E Series 180 Joint 4 1/2" x 2 3/4" x 5/8"	10.73
TOPOG-E Series 180 Joint 6 5/8" x 4 3/4" x 3/4"	22.55
TOPOG-E Series 180 Joint 450mm x 350mm x 25mm	72.58
TOPOG-E Series 180 Joint 16" x 12" x 1 3/8"	62.21
TOPOG-E Series 180 Joint 110mm x 80mm x 15mm	11.33
TOPOG-E Series 180 Joint 130mm x 90mm x 13mm	13.71
TOPOG-E Series 180 Joint 120mm x 90mm x 15mm	12.1
TOPOG-E Series 180 Joint 4" x 3" x 5/8"	10.53
TOPOG-E Series 180 Joint 15 3/4" x 11 3/4" x 1 3/8"	58.91
TOPOG-OB Series 180 Joint 14" x 9 3/4" x 1 1/4"	62.93



TOPOG-E Series 180 Joint 3 3/4" x 2 1/4" x 1/2"	9.19
TOPOG-E Series 180 Joint 4" x 3" x 1 1/2"	13.95
TOPOG-OB Series 180 Joint 15 5/8" x 11 5/8" x 1 1/4"	60.32
TOPOG-OB Series 180 Joint 6" x 4" x 5/8"	14.11
TOPOG-E Series 180 Joint 14 1/2" x 10 1/2" x 1 3/8"	58.99
TOPOG-E Series 180 Joint 3 1/2" x 2 3/4" x 3/8"	9.17
TOPOG-E Series 180 Joint 4 3/8" x 3 3/8" x 7/16"	10.89
TOPOG-E Series 180 Joint 4 1/2" x 3 1/2" x 3/4"	13.95
TOPOG-E Series 180 Joint 4 1/2" x 3 1/2" x 1 1/2"	35.58
TOPOG-E Series 180 Joint 6 1/2" x 4 1/2" x 1 1/4"	24.7
TOPOG-E Series 180 Joint 6" x 5" x 5/8"	22.97
TOPOG-E Series 180 Joint 10" x 6" x 5/8"	32.63
TOPOG-E Series 180 Joint 10" x 6" x 1"	34.86
TOPOG-E Series 180 Joint 10 1/4" x 7 1/2" x 3/4"	49.29
TOPOG-E Series 180 Joint 10" x 8" x 1"	44.54
TOPOG-E Series 180 Joint 14" x 9 1/2" x 1 1/8"	56.78
TOPOG-E Series 180 Joint 14 3/4" x 9 3/4" x 1 1/4"	56.69
TOPOG-E Series 180 Joint 14" x 9 3/4" x 1 1/4"	60.58
TOPOG-E Series 180 Joint 15" x 10 1/2" x 1 1/4"	58.77
TOPOG-E Series 180 Joint 14 1/2" x 10 1/2" x 1 3/4"	61.53
TOPOG-E Series 180 Joint 420mm x 320mm x 25mm x 10mm Thick	64.13
TOPOG-E Series 180 Joint 120 x 80 x 12mm	10.89
TOPOG-OB Series 180 Joint 3 3/4" x 2 3/4" x 1/2"	10.56
TOPOG-OB Series 180 Joint 4 3/8" x 2 7/8" x 9/16"	11.06
TOPOG-OB Series 180 Joint 4 1/2" x 3" x 9/16"	11.06
TOPOG-OB Series 180 Joint 5" x 3" x 9/16"	11.91
TOPOG-OB Series 180 Joint 4 1/2" x 3 1/4" x 9/16"	11.91
TOPOG-OB Series 180 Joint 4 3/4" x 3" x 9/16"	11.91
TOPOG-OB Series 180 Joint 5 1/2" x 3 1/2" x 1/2"	12.4
TOPOG-OB Series 180 Joint 15" x 11" x 1 1/4"	59.63
TOPOG-E Series 180 Joint 15 1/2" x 11 1/2" x 1 3/4"	60.75
TOPOG-E Series 180 Joint 400 x 300 x 25mm x 10mm Thick	63.45
TOPOG-E Series 180 Joint 6" x 5" x 5/8" x 3/8"	26.6
TOPOG-E Series 180 Joint 300 x 200 x 25 x 10mm Thick	58.96
TOPOG-E Series 180 Joint 15" x 11" x 1 3/4"	61.49
TOPOG-R Series 180 Joint 147.5mm x 121mm x 6.5mm	19.9
TOPOG-E Series 180 Joint 7 1/4" x 5 3/4" x 3/4"	25.72
TOPOG-E Series 180 Joint 18" x 15 3/4" x 1 1/2"	94.51
TOPOG-E Series 180 Joint 7" x 4 1/2" x 5/8"	35.46
TOPOG-E Series 180 Joint 510mm x 390mm x 25mm	338.63
TOPOG-E Series 180 Joint 6 1/2" x 4" x 3/4"	46.77
TOPOG-E Series 180 Joint 420mm x 320mm x 32mm	66.69
TOPOG-E Series 180 Joint 4 3/4" x 3 1/4" x 5/8"	25.8
TOPOG-E Series 180 Joint 18" x 13" x 1 1/4"	75.12
TOPOG-E Series 180 Joint 7 3/4" x 5 3/4" x 3/4"	51.42
TOPOG SM24B Sheet 600mm x 600mm x 6mm	212.24
TOPOG SM24 Sheet 600mm x 600mm x 3mm	185.81
TOPOG SM27B Sheet 700mm x 700mm x 6mm	281.81

## Boilerseal Door Joints (Similar to Pilotseal)

**BOILERSEAL** gaskets are constructed from high quality polymer, primarily for use as a boiler door joint. The high temperature capability combined with the sealing resilience expected from an elastomeric material make it ideal for steam service duty.

Temperature range Min -25 deg C / Max 120 deg C **However further application testing achieved 190 deg C, as the application & or conditions of use of this product are beyond our control, users should therefore satisfy themselves it is suitable for the intended purpose.**

**PRESSURE RANGE Up to 12 bar**

**APPLICATIONS** - Boiler door joints, gaskets on water heaters, air receivers, paper mill drying cylinders, and many other gasket services that use similar seals.

**AVAILABILITY** - One-piece endless gaskets, most manhole sizes available with special sizes available on request. These are only available in a nominal thickness of 6mm (1/4").



14D010	Boilerseal 10 x 8 x 1	£43.89
14D020	Boilerseal 11 1/2 x 7 1/2 x 1	£25.88
14D030	Boilerseal 11 x 8 x 1	£25.88
14D040	Boilerseal 12 x 9 x 1	£28.98
14D050	Boilerseal 14 1/2 x 10 1/2 x 1 3/8	£39.33
14D060	Boilerseal 15 x 11 x 1	£36.43
14D070	Boilerseal 15 x 12 x 1	£38.09
14D080	Boilerseal 16 x 12 x 1	£39.33
14D090	Boilerseal 16 x 12 x 1 1/4	£40.37
14D100	Boilerseal 3 1/2 x 2 1/2 x 1/2 (90mm x 65 x 13mm)	£7.24
14D110	Boilerseal 3 1/4 x 2 1/4 x 1/2	£6.73
14D120	Boilerseal 3 1/4 x 2 1/2 x 1/2	£6.73
14D130	Boilerseal 3 3/4 x 2 3/4 x 1/2	£7.24
14D140	Boilerseal 3 x 2 x 3/8	£5.79
14D150	Boilerseal 320 x 220 x 25 (12 1/2 x 8 5/8" x 1")	£28.98
14D160	Boilerseal 4 1/2 x 3 1/2 x 1/2	£9.31
14D170	Boilerseal 4 1/2 x 3 x 1/2	£8.28
14D180	Boilerseal 4 x 3 x 1/2 (100mm x 75mm x 13mm)	£8.28
14D190	Boilerseal 4 x 3 x 5/8	£8.28
14D200	Boilerseal 400 x 300 x 25	£39.33
14D210	Boilerseal 420 x 320 x 25 (16 1/2 x 12 1/2" x 1")	£41.40
14D220	Boilerseal 5 x 3 1/2 x 1/2	£9.31
14D230	Boilerseal 5 x 3 1/2 x 3/4	£9.83
14D240	Boilerseal 5 x 3 x 9/16	£9.31
14D250	Boilerseal 5 x 4 x 5/8	£9.83
14D260	Boilerseal 6 1/2 x 4 1/2 x 9/16	£11.90
14D270	Boilerseal 6 5/8 x 4 3/4 x 3/4	£11.90
14D280	Boilerseal 6 x 4 x 3/4	£11.38
14D290	Boilerseal 6 x 4 x 5/8 (150mm x 100mm x 15mm)	£11.38
14D300	Boilerseal 7 x 5 x 3/4	£12.42
14D310	Boilerseal 8 x 6 x 1 (200mm x 150mm x 25mm)	£15.94
14D320	Boilerseal 8 x 6 x 3/4	£15.00
14D330	Boilerseal 9 x 7 x 3/4	£23.39

# BLUE MAX

Description	priceout
BLUE-MAX Series 450 Topog Joint 450mm x 350mm x 25mm	£66.27
BLUE-MAX Series 450 Topog Joint 420mm x 320mm x 25mm	£64.68
BLUE-MAX Series 450 Topog Joint 425mm x 325mm x 25mm	£65.64
BLUE-MAX Series 450 Topog Joint 400mm x 300mm x 25mm	£58.28
BLUE-MAX Series 450 Topog Joint 320mm x 220mm x 25mm	£52.36
BLUE-MAX Series 450 Topog Joint 400mm x 300mm x 30mm	£72.14
BLUE-MAX Series 450 Topog Joint 10" x 8" x 1"	£43.65
BLUE-MAX Series 450 Topog Joint 15" x 11" x 1 1/4"	£68.21
BLUE-MAX Series 450 Topog Joint 16" x 12" x 1 1/4"	£72.15
BLUE-MAX Series 450 Topog Joint 16" x 12" x 1"	£59.26
BLUE-MAX Series 450 Topog Joint 15" x 11" x 1"	£56.12
BLUE-MAX Series 450 Topog Joint 6" x 4" x 3/4"	£19.86
BLUE-MAX Series 450 Topog Joint 4" x 3 1/2" x 1/2"	£13.00
BLUE-MAX Series 450 Topog Joint 8" x 6" x 3/4"	£24.40
BLUE-MAX Series 450 Topog Joint 5" x 3 1/2" x 1/2"	£14.60
BLUE-MAX Series 450 Topog Joint 11" x 8 1/2" x 1"	£45.21
BLUE-MAX Series 450 Topog Joint 12" x 9" x 1"	£48.57
BLUE-MAX Series 450 Topog Joint 15" x 9" x 1"	£69.25
BLUE-MAX Series 450 Topog Joint 11" x 8" x 1"	£45.20
BLUE-MAX Series 450 Topog Joint 3" x 2" x 1/2"	£11.39
BLUE-MAX Series 450 Topog Joint 4" x 3" x 1/2"	£12.66
BLUE-MAX Series 450 Topog Joint 14" x 10" x 1"	£59.79
BLUE-MAX Series 450 Topog Joint 4 1/2" x 3" x 1/2"	£13.00
BLUE-MAX Series 450 Topog Joint 4 1/2" x 3 1/2" x 1/2"	£13.24
BLUE-MAX Series 450 Topog Joint 7" x 5" x 3/4"	£22.19
BLUE-MAX Series 450 Topog Joint 9" x 7" x 3/4"	£32.84
BLUE-MAX Series 450 Topog Joint 4 1/2" x 3" x 5/8"	£14.95
BLUE-MAX Series 450 Topog Joint 6" x 4" x 5/8"	£17.28
BLUE-MAX Series 450 Topog Joint 12" x 9" x 3/4"	£38.74
BLUE-MAX Series 450 Topog Joint 11" x 8" x 3/4"	£35.97
BLUE-MAX Series 450 Topog Joint 3 1/2" x 2 1/2" x 1/2"	£11.89
BLUE-MAX Series 450 Topog Joint 3" x 2 1/2" x 1/2"	£11.48
BLUE-MAX Series 450 Topog Joint 2 1/2" x 2" x 1/2"	£10.04
BLUE-MAX Series 450 Topog Joint 8" x 6" x 5/8"	£21.13
BLUE-MAX Series 450 Topog Joint 5" x 3" x 1/2"	£13.26
BLUE-MAX Series 450 Topog Joint 13" x 9" x 1"	£50.08
BLUE-MAX Series 450 Topog Joint 12" x 8" x 1"	£46.75
BLUE-MAX Series 450 Topog Joint 5 1/2" x 3 1/2" x 5/8"	£16.32
BLUE-MAX Series 450 Topog Joint 5" x 4" x 1/2"	£14.10
BLUE-MAX Series 450 Topog Joint 3 1/2" x 2" x 1/2"	£10.78
BLUE-MAX Series 450 Topog Joint 3 1/2" x 3" x 1/2"	£12.22
BLUE-MAX Series 450 Topog Joint 5 1/2" x 3" x 5/8"	£16.51
BLUE-MAX Series 450 Topog Joint 2 3/4" x 2" x 1/2"	£11.40
BLUE-MAX Series 450 Topog Joint 3 1/4" x 2 1/2" x 1/2"	£11.52
BLUE-MAX Series 450 Topog Joint 4" x 3" x 3/4"	£16.01
BLUE-MAX Series 450 Topog Joint 11 1/2" x 7 1/2" x 1"	£45.20
BLUE-MAX Series 450 Topog Joint 10" x 8" x 3/4"	£35.01
BLUE-MAX Series 450 Topog Joint 11" x 9" x 3/4"	£37.27
BLUE-MAX Series 450 Topog Joint 15" x 10" x 1"	£61.83
BLUE-MAX Series 450 Topog Joint 11" x 9" x 1"	£46.75
BLUE-MAX Series 450 Topog Joint 10" x 7" x 1"	£40.11
BLUE-MAX Series 450 Topog Joint 4 1/2" x 3 1/2" x 3/4"	£16.32
BLUE-MAX Series 450 Topog Joint 5" x 3 1/2" x 3/4"	£17.49
BLUE-MAX Series 450 Topog Joint 15" x 12" x 1"	£57.72
BLUE-MAX Series 450 Topog Joint 3 3/4" x 2" x 1/2"	£11.89
BLUE-MAX Series 450 Topog Joint 3 1/4" x 2 1/4" x 1/2"	£10.78
BLUE-MAX Series 450 Topog Joint 4" x 3" x 5/8"	£14.48
BLUE-MAX Series 450 Topog Joint 13" x 10" x 1"	£51.77
BLUE-MAX Series 450 Topog Joint 3" x 2 1/4" x 1/2"	£10.16
BLUE-MAX Series 450 Topog Joint 15" x 12" x 1 1/4"	£70.19
BLUE-MAX Series 450 Topog Joint 2 1/2" x 1 3/4" x 1/2"	£10.05
BLUE-MAX Series 450 Topog Joint 4" x 2 3/4" x 1/2"	£12.69
BLUE-MAX Series 450 Topog Joint 20 1/4" x 15" x 1 1/4"	£101.36
BLUE-MAX Series 450 Topog Joint 13 1/2" x 10 3/4" x 1"	£52.65



# Prekev Door Joints

## PREKEV GASKETS

### METRIC SIZES

	GRAPHITE COATING	PTFE COATING
425 x 325 x 25	£23.11	£33.88
420 x 320 x 30	£22.92	£33.88
400 x 320 x 25	£22.51	£32.95
400 x 300 x 32	£24.68	£35.48
400 x 300 x 25	£20.94	£31.04
320 x 220 x 30	£16.14	£24.54
320 x 220 x 25	£16.14	£24.54

### IMPERIAL SIZES

18" x 16" x 1"	£35.09	£51.32
16" x 12" x 1"	£22.63	£32.77
16" x 12" x 1 1/4"	£24.68	£52.55
15" x 12" x 1"	£22.94	£48.61
15" x 11" x 1"	£20.96	£45.45
15" x 11" x 1 1/4"	£22.05	£50.48
15" x 9" x 1"	£17.68	£49.10
14" x 10" x 1"	£17.68	£38.02
12" x 9" x 1"	£15.34	£35.14
12" x 9" x 3/4"	£14.34	£28.38
11" x 8" x 1"	£13.88	£32.49
11" x 8" x 3/4"	£13.81	£32.39
10" x 8" x 1"	£11.95	£30.94
9" x 7" x 1"	£10.63	£27.14
9" x 7" x 3/4"	£10.49	£25.99
9" x 6" x 1"	£10.26	£24.95
8" x 6" x 1"	£9.83	£23.21
8" x 6" x 3/4"	£9.20	£22.34
8" x 6" x 5/8"	£8.14	£22.60
7" x 5" x 3/4"	£7.24	£19.85
6" x 4" x 3/4"	£7.23	
6" x 4" x 3/8"	£7.23	
5 1/2 x 4 1/2 x 1/2	£6.81	£12.03
5" x 3 1/2" x 1 1/2"	£7.23	£9.65
4 1/2 x 4 x 1/2	£7.23	£9.65
4 1/2" x 3 1/2" x 1/2"	£7.23	£9.65
4 1/2" x 3" x 1/2"	£7.23	£9.65
4" x 3 1/2" x 1/2"	£7.23	£9.65
4" x 3" x 1/2"	£7.23	£9.65
3 7/8 x 2 7/8 x 1/2	£7.23	£9.65
3 5/8 x 2 5/8 x 1/2	£7.23	£9.65
3 3/4 x 3 5/8 x 1/2	£7.23	£9.65
3 3/4" x 2 3/4" x 1/2"	£7.23	£9.65
3 1/2" x 2 1/2" x 1/2"	£7.23	£9.65
3 1/4 x 2 1/2 x 1/2	£7.23	£9.65
3" x 2 1/2" x 1/2"	£7.23	£9.65
3 x 2 1/4 x 1/2	£7.23	£9.65
3 x 2 1/2 x 3/8	£7.23	£9.65
3" x 2" x 1/2"	£7.23	£9.65
3 x 2 x 3/8	£7.23	£9.65
2 1/2" x 2" x 1/2"	£7.23	£9.65



Prekev gaskets are now available with two coatings: Graphite or PTFE

Both versions are suitable for use up to 250 deg. C. and up to 500 psi (35 bar)  
 The PTFE version has the benefit of being much easier to remove compared to the graphited type.

# BLACK MAX



DESCRIPTION	PRICE
BLACK-MAX Series 2000 Topog Joint 450mm x 350mm x 25mm	111.8
BLACK-MAX Series 2000 Topog Joint 420mm x 320mm x 25mm	90.98
BLACK-MAX Series 2000 Topog Joint 425mm x 325mm x 25mm	101.15
BLACK-MAX Series 2000 Topog Joint 400mm x 300mm x 25mm	89.32
BLACK-MAX Series 2000 Topog Joint 320mm x 220mm x 25mm	57.85
BLACK-MAX Series 2000 Topog Joint 400mm x 300mm x 32mm	90.06
BLACK-MAX Series 2000 Topog Joint 150mm x 100mm x 15mm	15.21
BLACK-MAX Series 2000 Topog Joint 410mm x 310mm x 25mm	79.75
BLACK-MAX Series 2000 Topog Joint 15" x 11" x 1 1/4"	81.5
BLACK-MAX Series 2000 Topog Joint 16" x 12" x 1 1/4"	90.06
BLACK-MAX Series 2000 Topog Joint 16" x 12" x 1"	85.75
BLACK-MAX Series 2000 Topog Joint 15" x 11" x 1"	77.43
BLACK-MAX Series 2000 Topog Joint 6" x 4" x 3/4"	15.52
BLACK-MAX Series 2000 Topog Joint 4" x 3 1/2" x 1/2"	11.3
BLACK-MAX Series 2000 Topog Joint 8" x 6" x 3/4"	28.24
BLACK-MAX Series 2000 Topog Joint 5" x 3 1/2" x 1/2"	14.5
BLACK-MAX Series 2000 Topog Joint 11" x 8 1/2" x 1/2"	48.97
BLACK-MAX Series 2000 Topog Joint 12" x 9" x 1"	57.84
BLACK-MAX Series 2000 Topog Joint 15" x 9" x 1"	68.31
BLACK-MAX Series 2000 Topog Joint 11" x 8" x 1"	51.37
BLACK-MAX Series 2000 Topog Joint 3" x 2" x 1/2"	8.11
BLACK-MAX Series 2000 Topog Joint 4" x 3" x 1/2"	10.59
BLACK-MAX Series 2000 Topog Joint 14" x 10" x 1"	71.27
BLACK-MAX Series 2000 Topog Joint 4 1/2" x 3" x 1/2"	11.3
BLACK-MAX Series 2000 Topog Joint 4 1/2" x 3 1/2" x 1/2"	11.33
BLACK-MAX Series 2000 Topog Joint 7" x 5" x 3/4"	24.21
BLACK-MAX Series 2000 Topog Joint 9" x 7" x 3/4"	26.42
BLACK-MAX Series 2000 Topog Joint 4 1/2" x 3" x 5/8"	11.47
BLACK-MAX Series 2000 Topog Joint 6" x 4" x 5/8"	13.97
BLACK-MAX Series 2000 Topog Joint 12" x 9" x 3/4"	54.64
BLACK-MAX Series 2000 Topog Joint 11" x 8" x 3/4"	45.21
BLACK-MAX Series 2000 Topog Joint 3 1/2" x 2 1/2" x 1/2"	9.55
BLACK-MAX Series 2000 Topog Joint 3" x 2 1/2" x 1/2"	8.93
BLACK-MAX Series 2000 Topog Joint 2 1/2" x 2" x 1/2"	8.01
BLACK-MAX Series 2000 Topog Joint 8" x 6" x 5/8"	16.63
BLACK-MAX Series 2000 Topog Joint 5" x 3" x 1/2"	11.47
BLACK-MAX Series 2000 Topog Joint 13" x 9" x 1"	60.86
BLACK-MAX Series 2000 Topog Joint 12" x 8" x 1"	54.14
BLACK-MAX Series 2000 Topog Joint 5 1/2" x 3 1/2" x 5/8"	11.87
BLACK-MAX Series 2000 Topog Joint 5" x 4" x 1/2"	12.01
BLACK-MAX Series 2000 Topog Joint 3 1/2" x 2" x 1/2"	8.93
BLACK-MAX Series 2000 Topog Joint 3 1/2" x 3" x 1/2"	10.59
BLACK-MAX Series 2000 Topog Joint 5 1/2" x 3" x 5/8"	15.83
BLACK-MAX Series 2000 Topog Joint 2 3/4" x 2" x 1/2"	8.11
BLACK-MAX Series 2000 Topog Joint 3 1/4" x 2 1/2" x 1/2"	10.59
BLACK-MAX Series 2000 Topog Joint 4" x 3" x 3/4"	11.84
BLACK-MAX Series 2000 Topog Joint 11 1/2" x 7 1/2" x 1"	41.85
BLACK-MAX Series 2000 Topog Joint 10" x 8" x 3/4"	45.77
BLACK-MAX Series 2000 Topog Joint 11" x 9" x 3/4"	50.94
BLACK-MAX Series 2000 Topog Joint 15" x 10" x 1"	75.7
BLACK-MAX Series 2000 Topog Joint 11" x 9" x 1"	55.42
BLACK-MAX Series 2000 Topog Joint 10" x 7" x 1"	32.77
BLACK-MAX Series 2000 Topog Joint 4 1/2" x 3 1/2" x 3/4"	11.33
BLACK-MAX Series 2000 Topog Joint 5" x 3 1/2" x 3/4"	15.83
BLACK-MAX Series 2000 Topog Joint 15" x 12" x 1"	81.93
BLACK-MAX Series 2000 Topog Joint 146mm x 196mm x 16mm	16.63
BLACK-MAX Series 2000 Topog Joint 3 1/2" x 2 1/4" x 1/2"	9.55
BLACK-MAX Series 2000 Topog Joint 200mm x 150mm x 15mm	24.56
BLACK-MAX Series 2000 Topog Joint 14" x 12" x 1 1/4"	84.51

## STRONG, RELIABLE, LONG LASTING

LOOKING FOR A GASKET THAT STANDS UP TO EXTREME PRESSURE? THAT OFFERS LEAK FREE PERFORMANCE EVEN ON ROUGH PITTED SURFACES?

Then you need the new Black-Max gasket made from foil-reinforced exfoliated graphite. These 1/4" thick gaskets are made from multiple layers of exfoliated graphite foil and 316 stainless steel foil ensuring gasket stability. You can use them in virtually any situation, in environments that run from a cryogenic -400°F to 1200°F steam temperature. Now you can standardize your gasket selection; they're available in popular shapes: Oval, Obround, Rectangular, Round and Square.

## KEY ADVANTAGES

**No leakage under pressure.** Even the slightest leakage will increase maintenance requirements and reduce your product's life. Field tests by major end users confirm that Black-Max gaskets seal with zero leakage in steam and in cold water hydro tests. Black-Max withstands working steam temperatures up to 1200°F, Rubber gaskets can't withstand that kind of pressure and heat.

**Easy removal.** Removal is easy and requires no scraping, chiselling or grinding - so you'll experience lower maintenance costs and less downtime.

**Easily Marked Sizes.** Each gasket's size is permanently marked, so you'll know immediately that you have the one you need.

**Maximum Sealing on Rough Surfaces.** Rough and pitted surfaces on old or poorly maintained flanges pose no problem for Black-Max gaskets: the material is resilient enough to conform perfectly to surface topography and maintain the tightest possible seal.

**Chemical Resistance.** The proprietary graphite used to manufacture Black-Max is chemically inert (pH 0-14) and resistant to chemicals used in treating boiler water.

**Extended Shelf Life.** Black-Max gaskets won't dry out or lose their strength while sitting on the shelf.

Black Max gaskets are able to withstand a pressure of up to 2000psig (137 bar)

## IDEAL APPLICATIONS

- Liquid treatment vessels
- Compressed air tanks
- Dryer cans in paper mills
  - Water towers
  - Water softeners
  - De-aerators
  - Make-Up tanks
- Steam pressure vessels
  - Hot water heaters
  - De-mineralizers
  - Steam humidifiers
  - Water purifiers
  - Refrigeration Units
  - Filtering units

# Gaskets and Sealing

## Sheet Materials

<b>C4430 (Sheet 2 Mtr x 1.5Mtr)</b> Glass fibre based with NBR. For oils, steam, hydrocarbons etc			
0.25mm thick	£115.92	1.00mm thick	£243.06
0.40mm thick	£152.99	1.50mm thick	£317.04
0.50mm thick	£164.68	2.00mm thick	£350.00
0.75mm thick	£205.29	3.00mm thick	£638.16

<b>NOVUS 30 (Sheet 1.5Mtr x 1.5Mtr)</b>	
1.50mm thick	£119.92
2.00mm thick	£179.35
3.00mm thick	£278.10

<b>SLS GRAPHITE SHEET ( 1 Mtr sq)</b> Graphite sheet with stainless steel foil insert. For steam, hot water, thermal oils, hydrocarbons etc			
0.45mm thick	£81.77	1.50mm thick	£148.03
0.80mm thick	£108.96	2.00mm thick	£191.01
1.00mm thick	£130.87	3.00mm thick	£360.99

<b>NOVUS 34 (Sheet 1.5Mtr x 1.5Mtr)</b>	
1.50mm thick	£205.86
2.00mm thick	£312.87
3.00mm thick	£403.50

<b>GRAFTEX (Graphite Sheet)</b>	
1.00mm thick	£176.56
1.50mm thick	£202.49
2.00mm thick	£254.97
3.00mm thick	£377.43

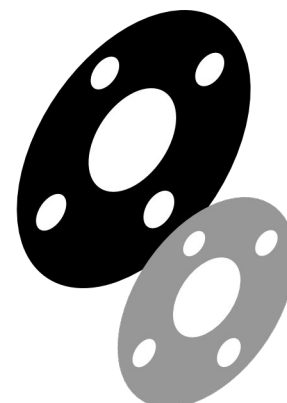
<b>TOPGRAPH 2000 (Sheet 2 Mtr x 1.5Mtr)</b> (Expanded graphite and synthetic fibres, flexible, rolled sheets) For oils, steam, hydrocarbons, hot water etc			
0.40mm thick	£109.69	1.50mm thick	£296.46
0.50mm thick	£120.67	2.00mm thick	£404.76
0.75mm thick	£153.15	3.00mm thick	£543.94
1.00mm thick	£219.43		

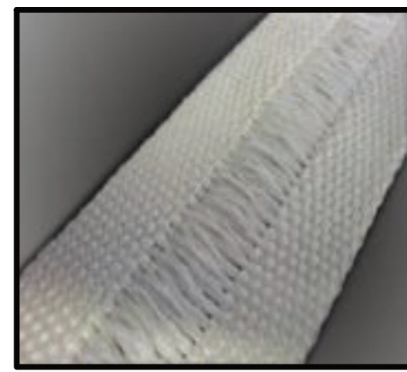
<b>RGS1</b>	
1.50mm thick	£POA
2.00mm thick	£POA
3.00mm thick	£POA

**Above sheet prices are for guide only. Please ensure you check prices with us before ordering as the manufacturers are always updating their pricing. Thank you.**

		Full Face	I.B.C.
1/2"	E, PN16 & ANSI 150	£2.25	£1.30
1/2"	TABLE F & H	£2.37	£1.40
3/4"	E, PN16 & ANSI 151	£2.37	£1.40
3/4"	TABLE F & H	£2.65	£1.46
1"	E, PN16 & ANSI 152	£2.65	£1.46
1"	TABLE F & H	£3.11	£1.68
1 1/4"	E, PN16 & ANSI 153	£3.23	£1.68
1 1/4"	TABLE F & H	£3.59	£2.08
1 1/2"	E, PN16 & ANSI 154	£4.60	£2.22
1 1/2"	TABLE F & H	£4.34	£2.51
2"	E, PN16 & ANSI 155	£4.45	£2.55
2"	TABLE F & H	£4.45	£2.96
2 1/2"	E, PN16 & ANSI 156	£4.45	£3.00
2 1/2"	TABLE F & H	£5.10	£3.29
3"	E, PN16 & ANSI 157	£5.17	£3.38
3"	TABLE F & H	£6.29	£3.73
4"	E, PN16 & ANSI 158	£6.58	£4.00
4"	TABLE F & H	£8.10	£4.26
5"	E, PN16 & ANSI 159	£8.39	£4.87
5"	TABLE F & H	£9.30	£5.44
6"	E, PN16 & ANSI 160	£11.03	£5.57
6"	TABLE F & H	£11.58	£6.64
8"	E, PN16 & ANSI 161	£12.16	£7.71
8"	TABLE F & H	£14.75	£9.97

## FLANGE GASKETS





## Ladder Tapes & Ropes

06C010	Glass Ladder Tape 25mm x 3mm	£37.27
06C020	Glass Ladder Tape 30mm x 3mm	£38.77
06C030	Glass Ladder Tape 40mm x 3mm	£41.89
06C040	Glass Ladder Tape 40mm x 5mm	£81.81
06C050	Glass Ladder Tape 50mm x 3mm	£46.65
06C060	Glass Ladder Tape 50mm x 5mm	£95.97
06C070	Glass Rope (Twisted Yarn) 70m x 8 mm dia	£31.15
06C080	Glass Rope 30m x 12mm dia	£36.17
06C090	Glass Rope 30m x 20mm dia (3/4)"	£68.86
06C100	Glass Rope 30m x 25mm dia	£74.76
06C110	Glass Rope 30m x 30mm dia	£87.77
06C120	Glass Rope 30m x 40mm dia	£113.06
06C130	Glass Rope 30m x 50mm dia	£167.36
	Glass Reinforced Rope 50Mtrs x 10mm	
	Glass Reinforced Rope 50Mtrs x 12mm	
	Glass Reinforced Rope 50Mtrs x 15mm	
	Glass Reinforced Rope 50Mtrs x 20mm	
	Glass Reinforced Rope 50Mtrs x 25mm	
	Glass Reinforced Rope 50Mtrs x 40mm	
	Glass Reinforced Rope 50Mtrs x 50mm	
	Glass Reinforced Rope 50Mtrs x 60mm	
06C140	Glass Webbing Tape 40mm x 3mm x 30m	£44.87
06C150	Glass Webbing Tape 50mm x 5mm x 30m	£99.08
06D010	Ceramic Ladder Tape 30mm x 3mm	£116.52
06D020	Ceramic Ladder Tape 50mm x 3mm	£99.08
06D030	Ceramic Rope 12mm x 50M (Glass Reinforced)	£191.96
06D040	Ceramic Rope 20mm x 50M (glass reinforced)	£144.16
06D050	Ceramic Rope 25mm x 50M (glass reinforced)	£216.85
06D060	Ceramic Rope 30mm SQ Section x 10M Inconel Reinforced	£222.53
06D070	Ceramic Rope 50mm x 25M (glass reinforced)	£196.42
06D080	Ceramic Rope 25mm Sq Section x 10M Inconel Reinforced	£160.62
06D090	Ceramic Rope 20mm Sq Section x 10M Inconel Reinforced	£99.76



<b>Flexible Square Section Graphite Packing</b>	
<b>Graphite Packing</b>	
3.0mmSq x 8 Mtrs	£34.13
4.0mmSq x 8 Mtrs	£48.88
5.0mmSq x 8 Mtrs	£66.24
6.5mmSq x 8 Mtrs	£74.18
8.0mmSq x 8 Mtrs	£90.10
9.5mmSq x 8 Mtrs	£100.67
11.1mmSq x 8 Mtrs	£138.01
12.5mmSq x 8 Mtrs	£172.22
16.0mmSq x 8 Mtrs	£229.99
19.00mmSq x 8 Mtrs	£287.50

Other sizes are available.  
Please contact our sales team for prices.



<b>PTFE Packing (VT2)</b>	
1/4" 6.5mmSq x 8 Mtrs	£89.05
5/16" 8.0mmSq x 8 Mtrs	£134.90
3/8" 9.5mmSq x 8 Mtrs	£174.68
7/16" 11.1mmSq x 8 Mtrs	£201.27
1/2" 12.7mmSq x 8 Mtrs	£215.07
9/16" 14.2mmSq x 8 Mtrs	£POA
5/8" 15.8mmSq x 8 Mtrs	£POA
3/4" 19.1mmSq x 8 Mtrs	£POA



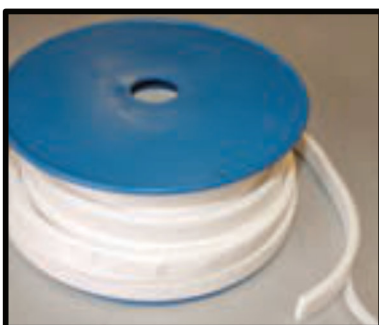
<b>Packing Extractors</b>	
With integral tip	
Size 1 1/4, 5/16	£22.95
Size 2 3/8, 7/16	£34.51
Size 3 1/2, 9/16, 5/8	£61.90
Size 4 3/4, 7/8, 1"	£83.80

### **Tefcan Expanded PTFE Joint Sealant Adhesive Backed**

A cost effective alternative to standard gasket sheeting. It is ideal for complex or large gaskets and for re-sealing damaged, worn or distorted flanges. Typical applications include pipe flanges and manhole gaskets.

Tefcan compresses to form a thin, wide gasket taking up surface flaws and has such good sealing properties that size selection is not usually critical.

Size: 14mm x 5mm x 10M long. Price: £POA  
Other sizes are available.



## Pressure Gauges



### Direct Mount 100mm Pressure Gauges

100mm 0 - 100 psi / bar 3/8" Bott	£POA
100mm 0 - 160 psi / bar 3/8" Bott	£POA
100mm 0 - 200 psi / bar 3/8" Bott	£POA
100mm 0 - 300 psi / bar 3/8" Bott	£POA

### Panel Mount 100mm Pressure Gauges

100mm 0 - 200 psi / bar 3/8" Back	£POA
100mm 0 - 300 psi / bar 3/8" Back	£POA

### Direct Mount 160mm Pressure Gauges

160mm 0 - 100 psi / bar 3/8" Bott	£POA
160mm 0 - 160 psi / bar 3/8" Bott	£POA
160mm 0 - 200 psi / bar 3/8" Bott	£POA
160mm 0 - 300 psi / bar 3/8" Bott	£POA

Other types and sizes available. Please ring our sales team with your requirements.

A selection from our range of stock pressure gauges.

We keep many popular sizes of pressure gauge in stock, in various configurations and case materials. We can also supply less common gauges to order.

### Pressure Gauge Re-calibration.

Note that we now offer a re-calibration service for pressure gauges.

Please contact our sales office for further information.

We stock pressure gauges in three different mounting configurations:



Direct mount



Surface mount



Panel mount

### Boiler Pressure Gauge Graduation.

It is recommended that the total scale for the Boiler Pressure Gauge shall be so chosen that the operating pressure is between 40% and 75% of the scale range.

It is also recommended that the dials should be marked with a red line at the operating pressure and a further line in purple at the maximum permissible working pressure.

Note that gauges used on a steam boiler must be protected against over-heating by the use of an efficient syphon. Chanter Biomed stock a range of suitable syphons. Please contact our sales office for advice.



### Eccentric Scale Pressure Gauge

We now supply eccentric scale pressure gauges.

This style of gauge is proving very popular with steam restoration enthusiasts who have fitted them to traction and steam engines.

The gauges are made to order and can be customised to suit your requirements.

We can supply to various pressure ranges and can print wording, red lines etc. to your specification on the dial.

### Pressure Gauge Syphons.

We can supply Ring (pigtail) and U Syphons in Mild Steel, Stainless Steel and Brass.  
Standard thread size is 3/8" BSP, but 1/2" BSP is also available.

Prices for mild steel syphons are as follows:

3/8" BSP Ring Syphon: £26.13 each.  
3/8" BSP 'U' Syphon: £26.13 each.

Prices for other materials or sizes are available on request.



### Brass Pillar Syphon.

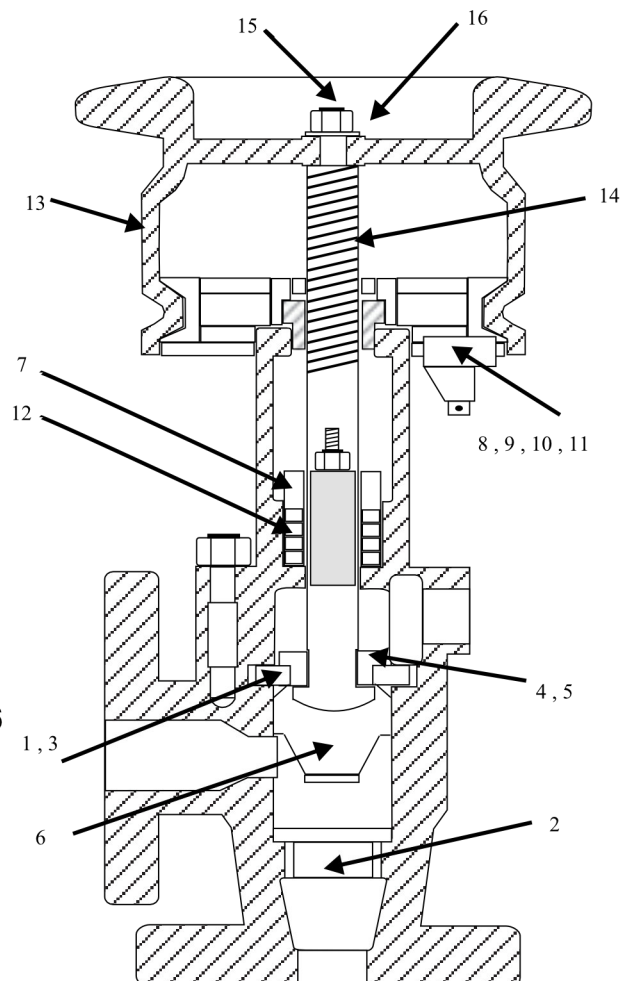
Price: £399.50 each.  
The syphon is available with either 1/2" BSP or 3/4" BSP connection.

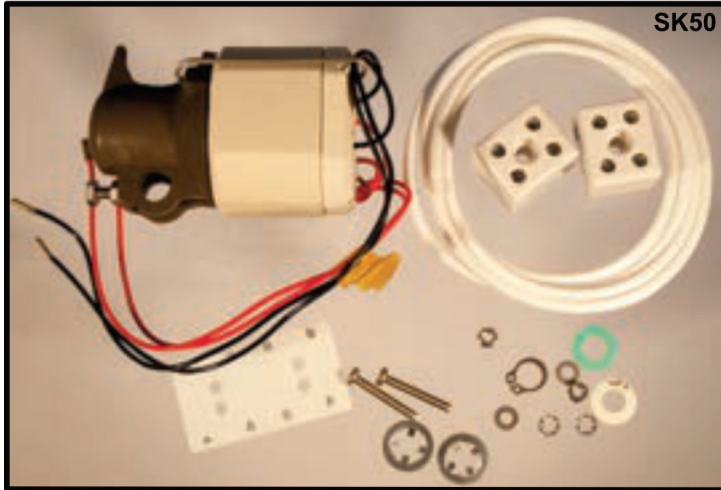
Illustration shows the syphon fitted to a fig. 0295 sleeve packed test cock, price: £45.17 each.

**BESTOBELL MOBREY SEQUENCING BLOWDOWN VALVES**



ITEM	PART NO	DESCRIPTION	PRICE
1	J504	Joint (2 off)	£1.87
2	J487	Valve Seat	£64.43
3	J471	Valve Seat Upper	£34.44
4	J508	Tab Washer	£4.66
5	J510	Lid Retaining Nut	£48.15
6	J511	Valve Lid	£77.72
7	J474	Gland Follower	£48.23
8	J482	Ratchet Pawl	£33.93
9	J484	Pin (25mm)	£6.63
10	J763	Ratchet Pawl Spring	£8.72
11	J770	Pin	£9.76
12	J1287	Packing (4 Pack)	£9.80
13	J766	Handwheel	(See SK5)
14	J767	Spindle	£180.16
15	9725-805	Nut	POA
16	9726-817	Washer	POA
17	G1107	Chamber Joint	£3.28





**SK51**



Monel Float SK51	£364.34
St/Steel Float SK192	£357.19
Float Switch pack / Kit SK50	£301.77
Monel Float over 21 Bar SK52	£585.05
Float Rod & Magnet SK55	£203.24
Float Rod Assembly SK67	£332.56

**Below items are POA**

Gasket & Joint Kit (Sq Flanged) SK63  
Gasket & Joint Kit (Rd Flanged) SK64

SBDV 1" Complete valve  
21 Bar 80947 Gun Metal

SBDV 1" Complete valve  
13 Bar 80938 Cast Iron

SBDV Water Leg SeatKit SK1  
SBDV Lid / BLD SeatKit SK2  
SBDV Joints/ Pawl Lit SK4

SBDV Packing & Joints (6 sets) SK95  
SBDV Spindle / Red hand wheel kit SK5  
Mod Control Valve Complete 80311

Mod Valve Lid & SealKit 'A' SK68  
Mod Valve Lid & SealKit 'B' SK69

Mod Valve Lid & SealKit 'C' SK70  
Mod Valve Lid & SealKit 'D' SK71  
Mod Valve Lid & SealKit 'E' SK72  
Mod Valve Lid & SealKit 'F' SK73  
Mod Valve Lid & SealKit 'G' SK74  
Mod Valve Lid & SealKit 'H' SK75  
Mod Valve Lid & SealKit 'I' SK76  
Mod Valve Seal Kit (2 sets) SK77  
Mod Valve Stuffing Box SK78  
Mod Valve Spring & Piston Cup SK79

Feedback Coil (Coil B) SK80  
Inductive Coil A SK93

Hand Valve & Coupling Kit Sk83  
Piston Cup, Rod & Bush Kit SK85  
Arm, Pin & Split Pin Kit SK 86  
PCB Assembly 240V/110V SK65  
PCB Relay SK66  
Valve Seat Removal Tool  
Replacement insert

# Flow Indicators

## 200 S E R I E S

### Stainless Steel Sight Flow Indicators



Figure 234



Figure 233

#### Description

A low cost, all stainless steel sight flow indicator available as a straight through indicator with spout (Figure 233) or fitted with a flap and scale plate to give an indication of flow rate (Figure 234).

#### Dimensions

Size (mm)	Length(mm)	Weight(kg)
15	70	1.2
20	70	1.2
25	90	2.2
40	110	4.1
50	130	7.2

## 400 S E R I E S

### Straight Through Sight Flow Indicator with Spinner/Ball



Spinner Type

#### Description

A low cost, 'entry level' sight flow indicator with either a high sensitivity spinner or ball operating from 0.7 l/m (water). The nitrile seals and nylon spinner or PTFE ball give excellent chemical resistance which is further enhanced in the stainless steel version by the use of borosilicate glass as standard.

These compact sight flow indicators are used extensively in plant protection applications to show coolant or lubrication flow to pumps, compressors and engines.

As an added advantage the series 400's can be used in any orientation, apart from the 'ball type', which needs to be in the horizontal plane.

#### Dimensions

Size (mm)	Length (mm)	Weight (kg)	Flowrate (l/h, water)	
			Minimum	Maximum
8	76	0.5	30	200
10	76	0.5	50	450
15	76	0.6	60	600
20	83	0.6	120	1600
25	89	1.1	300	1600



Figure 400B Gunmetal or Stainless Steel

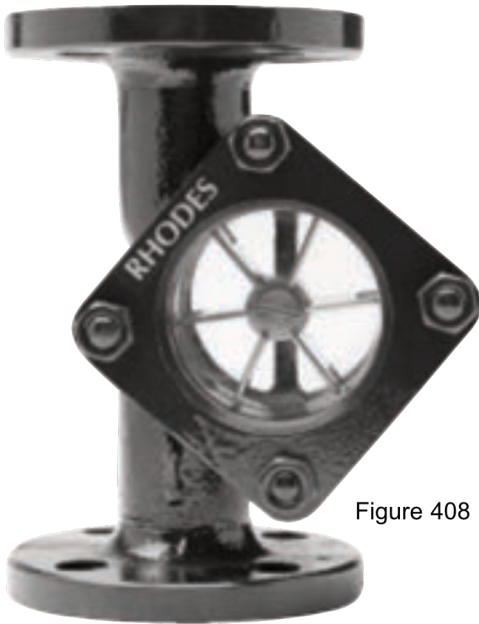


Figure 408

# 408

S E R I E S

## Straight Through Sight Flow Indicator with Spinner

### Description

This double sided indicator is suitable for mounting in a horizontal or vertical position. Operating over a wide flow range it extends the duties of the smaller Figure 400 into larger applications and to higher temperatures. It is available with flanged or screwed end connections and with a variety of material options. The stainless steel spinner and mounting pin give excellent corrosion resistance.

# 900

S E R I E S

## Straight Through Sight Flow Indicators - Gunmetal

Figure 902



Figure 901



# 901/902

with Flow Fingers

### Description

The models 901/902 general purpose indicators used by equipment manufacturers and process plant users, employs Rhodes' unique patented 'flow fingers' to provide flow indication. The flow fingers provide positive indication clear and murky liquids even under slow, steady flow conditions. The 902 version is fitted with a flow switch

### Materials of Construction

Body	Gunmetal BS EN 1928 CB419K
Covers	Mild Steel BS EN 10025 S355J2G3
Flow finger	Glass filled nylo
Glass	Toughened Soda Lime BS3463 or Borosilicate Glass DIN 7080
Gaskets	Nickel reinforced graphite or PTFE
Fasteners	Mild Steel Zinc Plated



# 903

with Integral Spout

# 904

with Flap and Scale Plate



## Flow Indicators

# Type A

A simple, robust sight flow indicator, available in two patterns: straight through and angle type. Both have a good quality cast body recessed to hold toughened glass windows on two sides. The glasses are held in place by steel covers and high tensile bolts. Joint rings, made in a suitable material, fit into the same recess as the glass windows and consequently cannot be blown out by excessive pressure.



Figure Type A i

# Type B

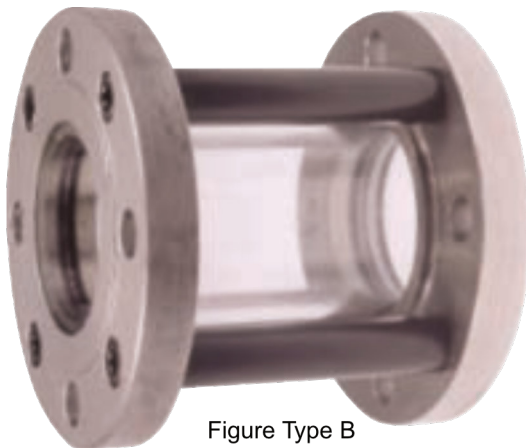


Figure Type B

### Description

A tubular type indicator with a difference. The disadvantage with traditional tubular type sight flow indicators is that the joint has to be made by exerting pressure on the ends of the glass tube. This causes the glass to take the load of any distortion or expansion in the pipe line. The result is often a leaking joint or a broken glass. The Type B overcomes this by using a new method of sealing which allows the glass to move.

### Dimensions

Nominal Bore (mm)	Face-Face Length (mm)	Weight (Kg)
25	102	2
40	127	3.5
50	153	5
80	178	10
100	203	17
150	254	23

## 900 SERIES Straight Through Sight Flow Indicators - Cast Iron

Figure 913



**913**

with Integral Spout

Figure 914



**914**

with Flap and Scaleplate

**900** Straight Through Sight Flow  
Indicators - Carbon Steel  
S E R I E S

Figure 923



Figure 924



**924**  
with Flap and Scaleplate

**900** Straight Through Sight Flow  
Indicators - Stainless Steel  
S E R I E S

Figure 933



Figure 934



**933**  
with Integral Spout

**934**  
with Flap and Scaleplate



**Various sizes and material in all models.  
Please contact us for an up to date quotation.**

## Gestra Valves and Controls



MK45/2



UNA14D

Full range of Gestra equipment available. Please contact our office with your requirements. Only a sample is shown here.



BK45



RK86



NRS1-54



NRS1-50



NRR2-50+T



NRS-50\_T



LRR1-12



BEA46



NR16-36  
NR16-50



LRG16-4

## Gestra Products



### Steam Traps.

21G010	MK45/2	DN15 BSP
21G011		DN20 BSP
21G012		DN25 BSP
21G020	Bk45	DN15 BSP
21G021		DN20 BSP
21G022		DN25 BSP
21G030	UNA14/H/D/A013	DN15 BSP
21G031		DN20 BSP
21G032		DN25 BSP

### Carbon Steel Wafer Check Valves

21G040	RK86	DN15 BSP
21G041		DN20 BSP
21G042		DN25 BSP
21G043		DN40 BSP
21G044		DN50 BSP

### Steam Boiler Feed Water Check Valves

21G050	RK86ES	DN25
21G051		DN40
21G052		DN50

### Steam Boiler Water Level Equipment

21G060	NRR2-50	24VDC
21G061	NRS2-50	24VDC
21G063	NRS1-50	24VDC
	NRS1-52	24VDC
21G064	NRS1-54	24VDC
21G065	NRV2-29 PRE-AMP	
21G066	NRG16-36 1000mm	1000mm
21G067	NRG16-50	1000mm

### Steam Boiler TDS Control Equipment

21G071	LRG16-4	300mm
21G072	BAE46 15mm	230V

## Term & Conditions

1.

All goods are sold subject to the following conditions which apply to the exclusion of any conditions of order or purchase of the customer or any other standards, specifications or particulars of or adopted by the customer. No amendment, alteration or attempt to override these conditions shall be binding on Chanter Biomed Limited unless confirmed in writing by a director of the company.

2. **Price**

The price for goods sold shall be the ruling price (less any agreed discount) in force on the date when the goods are despatched to the customer. All prices are exclusive of VAT.

3. **Delivery**

Delivery dates are approximate only and delivery will be arranged as soon as practicable. Orders will remain valid and binding notwithstanding delay in delivery. The company will not be liable for any delay in delivery failure to deliver consequential or other loss due to any cause beyond the company's reasonable control.

4. **Payment**

Subject to credit being approved and unless otherwise expressly agreed accounts are due for payment not later than the end of the month following the month of despatch, otherwise payment must be received by the company before delivery. Where deliveries are spread over a period each consignment will be invoiced as despatched and each month's invoices will be treated as a separate account and payable accordingly. Failure to pay for any goods or for any delivery or instalment shall entitle the company to suspend further deliveries on the same order and on any other order from the customer without prejudice any other rights the company may have. The company reserves the right to charge interest on overdue accounts at a reasonable rate. The company also reserves the right in the case of failure to pay for any goods or any delivery or instalment as aforesaid to suspend delivery of any order or any part or instalment without liability until payment or satisfactory security for payment has been provided.

5. **Risk and title.**

- a) The risk in all goods shall pass to the customer
  - (i) When goods are despatched from the company's premises or
  - (ii) If the goods are appropriated to the customer but kept at the company's premises at the request of the customer.
- b) Notwithstanding subclause a. above legal and equitable ownership of goods shall remain with the company until payment of all sums due to the company from the customer on any accounts whatsoever have been received in full.
  - (i) At any time prior to full payment (whether of not payment is then overdue) the company may (without prejudice to any of its other rights) retake possession of the goods or any part thereof and may enter on the customer's premises by its employees or agents for that purpose.
  - (ii) Pending full payment for the goods the customer shall be a bailee of the goods on behalf of the company and shall store the goods in such a way that they are separately identifiable, nevertheless prior to the time of full payment the customer is entitled to use the goods in the normal course of its business or to sell the goods to third parties. The company shall have the right to trace the proceeds of sale.
  - (iii) The customer's right to use the goods or to resell them prior to full payment may be terminated forthwith by written notice given by the company to the customer and shall automatically terminate with or without such notice on the appointment of any receiver or liquidator of the company.
  - (iv) Each subclause b i,ii,iii above shall be construed and receive effect as a separate clause and accordingly in the event of any of them being for any reason whatsoever unenforceable according to its terms, the others shall remain in full force and effect.

6. **Non standard items and cancellation.**

The company reserves the right to levy a handling charge for supplying special goods not from its standard range. Cancellation of these goods will not be allowed and if the customer does not accept delivery the company will charge the customer as if the goods had been delivered. No order for standard items will be deemed to be cancelled unless written notification has been received by the company prior to despatch of the products, and in these circumstances a handling charge may be levied.

7. **Specification**

The company reserves the right to alter the specification of any goods listed in its literature (without notice).

8. **Telephone orders**

To avoid duplication confirmation of telephone orders must be clearly marked 'Confirmation only' and the company will not accept liability for orders not so marked and duplicate orders will be charged accordingly.

9. **Liability**

The customer is responsible for ensuring the goods are suitable for the use to which the customers uses the goods. Chanter Biomed Limited shall not be responsible for any consequent loss or damages however arising.

10. **Warranty : limit of responsibility**

- i) The company warrants that goods will at the company's choice either be repaired or replaced, if they are found within a period of 6 months from delivery, ("the warranty period"), to be defective or not in accordance with the contract or any express description or representation given or made on the company's behalf. The company will require a reasonable period of time to carry out any repairs or replacements.
- ii) Any claim the customer may have under the foregoing express warranty or against the manufacturer or supplier as aforesaid or any claim under any condition or warranty implied by law or any other claim in respect of the goods or workmanship in relation thereto shall be limited to repair or replacement. The company shall not in any circumstances be liable for any damages, compensation, costs, expenses, losses or other liabilities whether direct or consequential and any other remedy which would otherwise be available in law hereby excluded to the extent that such exclusion is prohibited by any rule of the law.

11. **Carriage**

The goods are sold ex company's warehouse and all costs of carriage shipping and insurance shall be for the account of the customer. The carrier will be arranged by the company unless otherwise agreed.