

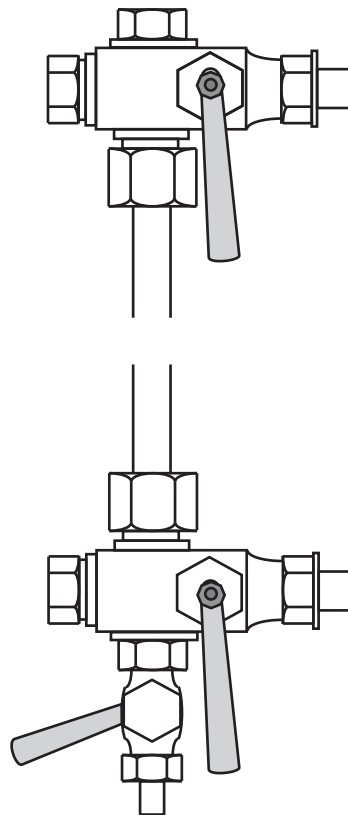
Boiler Water Level Gauges Data Sheet

Material: BS 1400-L62C.

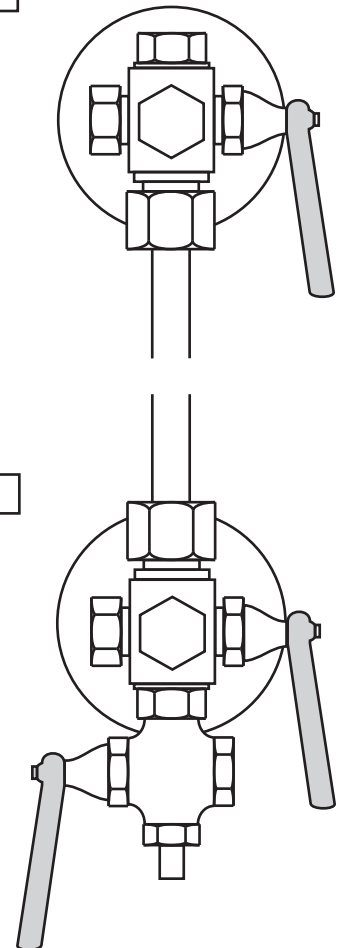
For steam working pressures up to 250lbs/in² (17.2bar) and temperatures up to 500F (260 C). These gauges are fitted with sleeves which can be adjusted by means of packing nuts as water necessitates and provide easy and efficient maintenance. An automatic shut-off ball valve in the water arm to prevent the escape of water is available on request. An automatic shut off valve in the steam arm is also available, if required. Steam and water arms can be handed right or left to suit installation and drilled to appropriate standards.



SCREWED



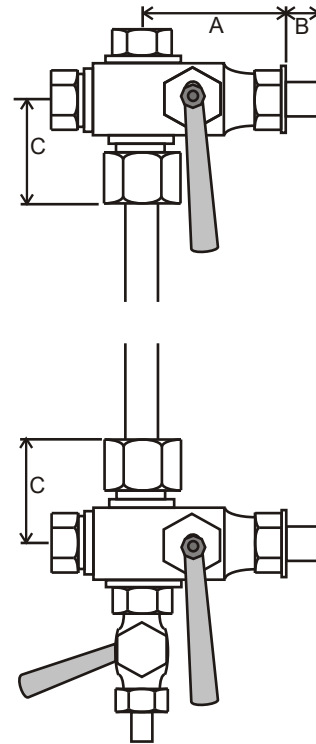
FLANGED



Screwed Gunmetal Sleeve Packed Water Level Gauges

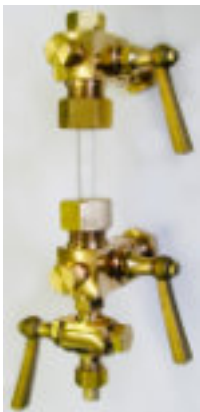


R/H SET



Material: Gunmetal LG2 (main body) Handed Left or Right Ball Shutoff in bottom as standard.

Fig 30 1/2" BSP
2.2Kg per set



Polished
A = 55
B = 30
C = 50
Glass 1/2"
Sleeves AB10
Cones No 12

Auto shot off in top arm if req'd

Fig 30 1/2" BSP
2.2Kg per set



Cast Finish
A = 55
B = 30
C = 50
Glass 1/2"
Sleeves AB10
Cones No12

Auto shot off in top arm if req'd

Fig 31 3/4" BSP
2.2Kg per set



Polished
A = 55
B = 30
C = 50
Glass 1/2"
Sleeves AB10
Cones No 12

Auto shot off in top arm if req'd

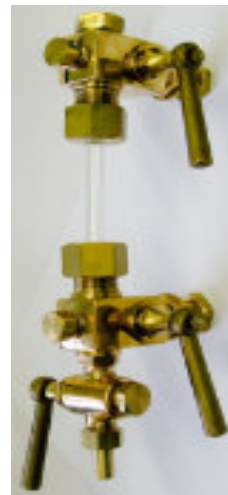
Fig 34 1/2" BSP
(Gresswell type G77)



Polished
A = 70
B = 30
C = 50
Glass 1/2"
Sleeves AB12
Cones No 12

Auto shot off in top arm if req'd

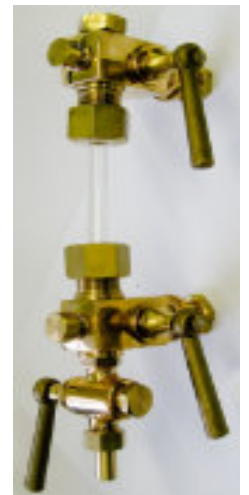
Fig 20 1/2" BSP
3.8Kg per set



Polished
A = 68
B = 26
C = 59
Glass 1/2"
Sleeves AB12
Cones No 74
Part No. 07A020

Auto shot off in top arm if req'd

Fig 32 3/4" BSP
3.8Kg per set



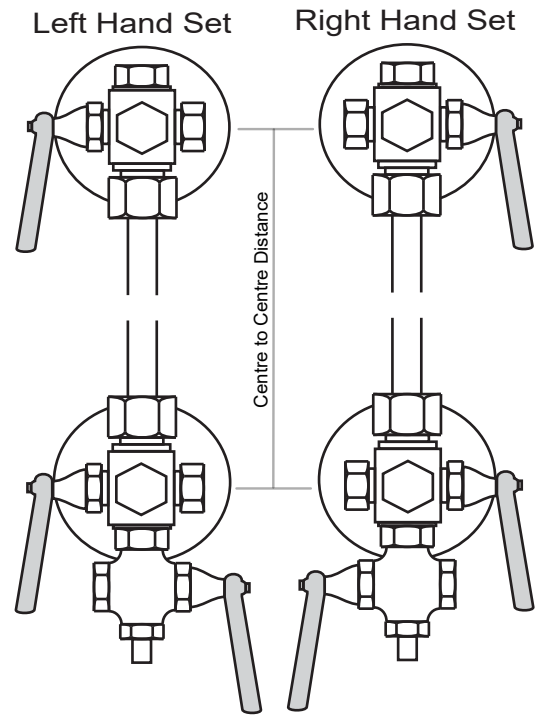
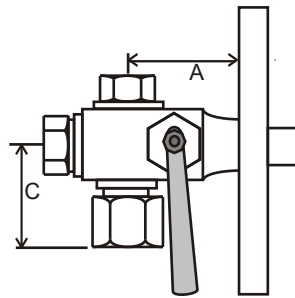
Polished
A = 68
B = 26
C = 59
Glass 3/4"
Sleeves AB12
Cones No 75

Auto shot off in top arm if req'd

Flanged Gunmetal Sleeve Packed Water Level Gauges



R/H SET

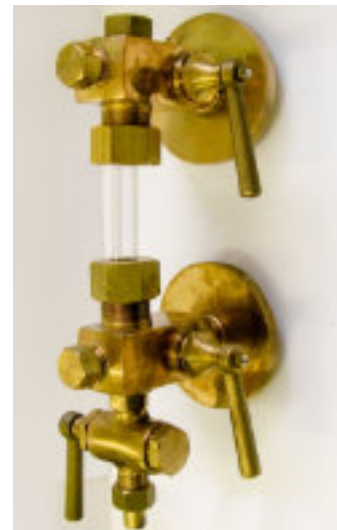


Material: Gunmetal LG2 (main body) Handed Left or Right Ball Shutoff in bottom as standard. They are reversible, so can be left or right.

Fig 44 3/4" 8.16Kg per set

Fig 41 1/2" 5.44Kg per set

Fig 52 3/4" 5.44Kg per set



Polished
A = 83
C = 62
Flange 4 1/2" 115mm
Glass 1/2"
Sleeves AB12
Cones No 74

Polished
A = 83
C = 62
Flange 4 1/2" 115mm
Glass 3/4"
Sleeves AB12
Cones No 75

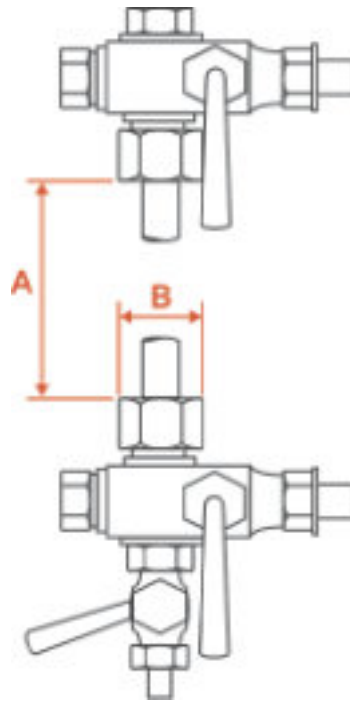
Polished
A = 97
C = 62
Flange 4 1/2" 115mm
Glass 3/4"
Sleeves AB18
Cones No 58

Auto shot off in top arm if req'd

Auto shot off in top arm if req'd

Auto shot off in top arm if req'd

FOR WATER LEVEL GAUGES



Protector sizing.

When required for gauges of our manufacture it is necessary only to give the distance between the centres at which the gauges are fitted.

We can manufacture protectors to suit other makes of gauges. We need to know two dimensions:

(A): The distance between the glass nuts when the gauges are fitted.

(B): The size across the corners of the glass nuts. (Note that for this dimension, it is the distance across the corners of the nut and not across the flats that we require)

FITTED WITH 3/8 TOUGHENED PANELS



POINTERS AVAILABLE

**CHEVRON
BACKPLATES**

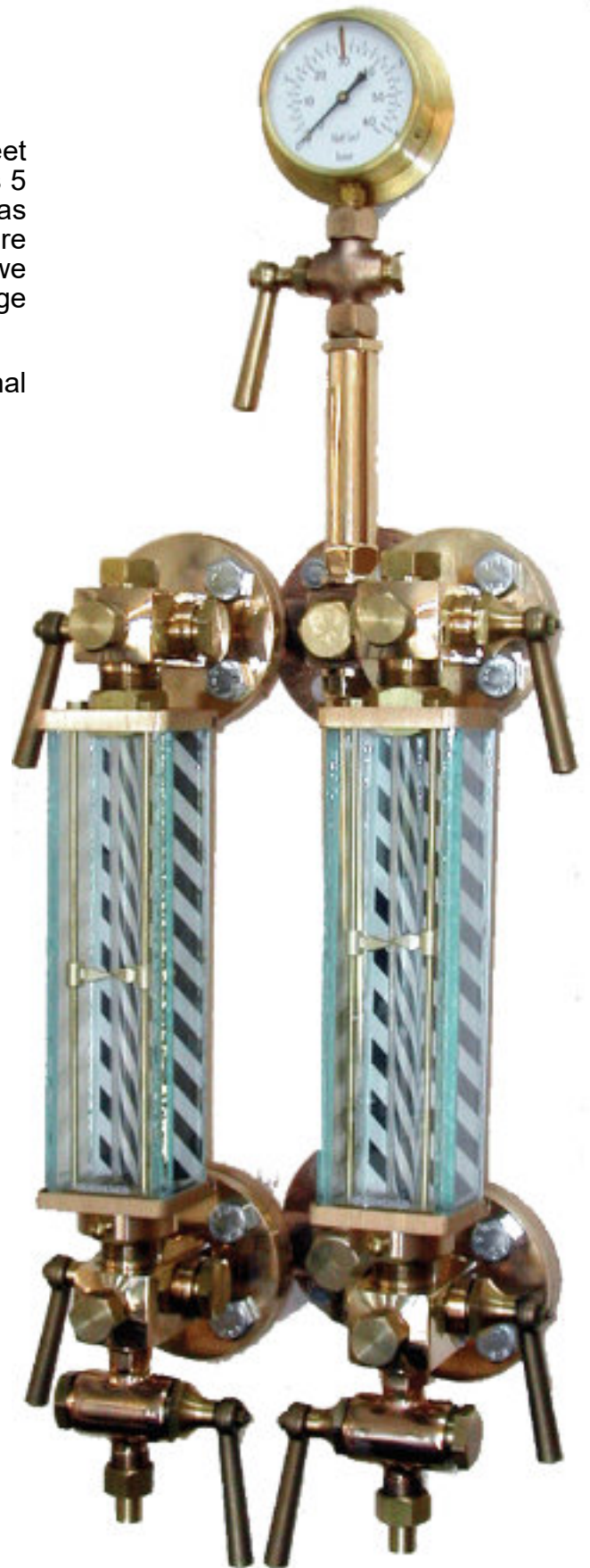
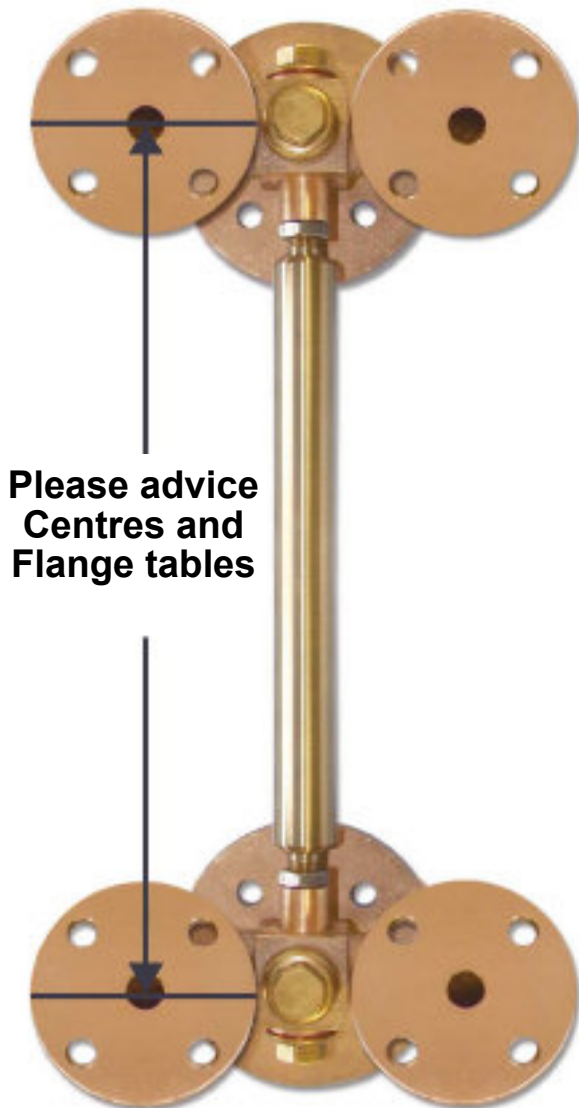
Improving gauge glass water level visibility.

In situations where the water level is difficult to see, we recommend the use of either a red stripe gauge glass, or the inclusion a chevron backplate in the protector. The adjacent photographs demonstrate the significant improvement to visibility that this can make.

Water Gauge Columns

Water Gauge Columns are manufactured to meet your requirements. The boiler connection flange is 5 1/2" and the water gauge flanges are 4 1/2" as standard but please contact us if you require different. We can accommodate ant centres and we have the units ready to be drilled to your flange specification with a few days from order.

Please contact our sales team for any additional information or advice.



Spindles and Spares



Chanter Biomed Ltd. Water Level Gauges are prepared at our Bradford site from castings made exclusively for us.

Components are manufactured in house by our own engineers so you can be assured that replacement parts are of top quality and will fit as intended.

Besides components intended for our own range of gauges, we manufacture many items for other makes. Many are listed in this catalogue, but please contact our salesteam for items that are not listed. We will always do our best to help.

SPINDLES

10mm A&J
10mm Chanter Biomed
10mm Miro

12mm A&J
12mm Bestobell (Chieftain)
12mm Bonetti
12mm Chanter Biomed
12mm Gresswell
12mm Hopkinson
12mm Hopkinson Split Rings
12mm Klinger (40mm long)
12mm Klinger (45mm long)
12mm Klinger Split Rings
12mm Miro

18mm A&J
18mm Bestobell
18mm Bonetti
18mm Chanter Biomed
18mm Danks
18mm Hopkinson
18mm Hopkinson Split Rings
18mm Klinger (60mm long)
18mm Klinger Split Rings
18mm Miro
18mm Taylor (Brass)

1/2" Dewrance Taper
3/4" Dewrance Taper
3/4" Dewrance Taper (Drain)

20mm Shaw (Brass)

22mm Taylor (Brass)
22mm Klinger (60mm long)
22mm Klinger (105mm long)
22mm Klinger (125mm long)

Spindles are in stainless steel (or brass where indicated)

GAUGE SPARE PARTS

Water Gauge Handles:

Fig. 30 & 31
Fig. 20, 32, 41, 44, 52

Tank Gauge Spigotted Nuts

1/2" Fig. 71
1/2" Fig. 61
3/4" Fig. 63

Spindle Washers:

10mm
12mm
18mm
22mm

Cone Washers:

1/2" L/P
For cones no. 3, 12 & Wallico 1/2"

1/2" S/P
For cones no. 74 & 90

3/4" Cone Washer no. 75
For cones no. 75 and 92

3/4" Hopkinson
For cones no. 7, 7H, Dexine & no. 58

Gauge Glass Nuts:

1/2" Fig. 71 Tank Gauge
1/2" Fig. 61 Tank Gauge
5/8" Fig. 72 Tank Gauge
3/4" Fig. 63 Tank Gauge

1/2" Fig. 30 Water Gauge
1/2" Fig. 34 Water Gauge
1/2" Fig. 41 Water Gauge
3/4" Fig. 44 Water Gauge